



# Sirius

## CLASSIC ALFRESCO RANGE

### SL80BBQ120ELM

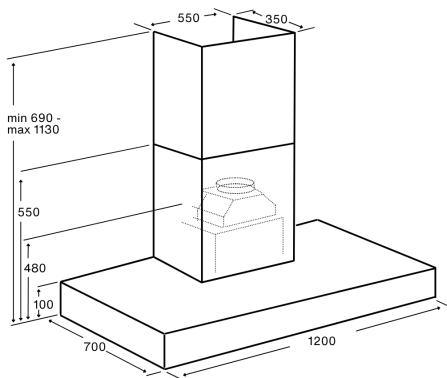
1200MM CANOPY WITH TWIN MOTOR



#### SPECIFICATIONS

|                            |  |
|----------------------------|--|
| Rangehood Type             | Canopy   |
| GTIN                       | 9351116006983  |
| Country of Origin          | Hand-Crafted in Italy  |
| Suits Cooktop Size         | 900-1200mm   |
| Suits Cooktop Style        | Induction, Gas, Electric, BBQ  |
| Recommended Install Height | min 1200 - max 1600mm from BBQ surface<br>min 600 - max 750mm from cooktop surface |
| Finish                     | Marine-Grade Stainless Steel   |
| Controls                   | Button Control   |
| Speed Settings             | 4 (3 + Booster)  |
| Recirculating              | No   |
| Filter Type                | 2 x 25mm Baffle  |
| Noise Level*               | approx. 45dBA to 70dBA   |
| Lighting                   | 4 x 6W LED Lighting  |
| Run-on Timer               | Yes - 10mins   |
| Automatic Shut-Off         | Yes - 4hrs   |
| Electrical Requirement     | 10AMP  |
| Max Current (W)            | 564W   |
| Motor Options              | Twin Onboard Green Energy  |
| Extraction Rate#           | 2000m <sup>3</sup> /h  |
| Ducting Options            | Top  |
| Ducting Size               | 200mm diameter   |
| Product Dimensions (mm)    | H min690-max1130 x W1200 x D700  |
| Nett Weight                | 51kg   |
| Carton Dimensions (mm)     | H570 x W1250 x D770  |
| Gross Weight               | 55kg   |
| Warranty                   | 3 Years - 6 Years if paired with Sirius Ducting                                    |

#### LINE DRAWING



See user manual for more information

#### KEY FEATURES



##### Onboard Green Energy Motor

Our revolutionary technology paired with advanced engineering generates greater air movement with less fan movement, creating a superior cooking environment.



##### Powerful Airflow

With impressive airflow and control, this rangehood quickly and effectively removes smoke, steam, heat, odours, and other airborne particles from the kitchen. Conveniently controlled with 4 speed settings.



##### LED Lighting

LED lights that are eco-friendly and energy efficient. Their durability makes them resilient to heat, and they emit a nice, bright light, making them a perfect option for your hoods lighting.



##### Baffle Filters

Interlocking C-shaped baffles capture grease and smoke. Highly regarded for their advanced design and durability, they have a lifetime warranty. The optional mesh filters include layers of metal grids that create a labyrinth-like structure. Both options are dishwasher safe for easy cleaning.



##### Induction Suited

This rangehood has the sufficient extraction required to facilitate induction cooking. As induction cooking uses the base of the pan as the heat source, less moisture and steam is evaporated before it reaches the filters. This can create drops of water that drip into your cooking.



##### Button Control

Easy to use, the sleek button control lets you power your rangehood with a simple, classic touch. Control the rangehoods fan speed and lighting effortlessly at the touch of a button. Modern design and straightforward controls make operation a breeze while enjoying your cooking experience.



##### Marine Grade

A marine grade rangehood outdoor placement is important for those who live within five kilometres of the coast. The levels of salt in the air can lead to corrosion in metals which damage and reduce the lifespan of your rangehood. Marine grade stainless steel is designed to resist corrosion.



##### Extra Deep Coverage

Ensuring ultimate extraction over your high-performance cooktop or BBQ, the Extra Deep range gives you superior coverage. With cleaner and more efficient cooking environment, all grease, odours and airborne particles are captured with the additional front to back coverage.



##### Hand-Crafted in Italy

Quality, functionality, innovation, style & luxury hand-crafted in Italy. Leading the market in design and functionality, this collection has been specifically handpicked for Australian living.

#Extraction rate is an approximate figure and may vary depending on installation.

\*Please note noise level is an approximate range and subject to installation and surrounding materials.

For more information, visit our website.



# Sirius

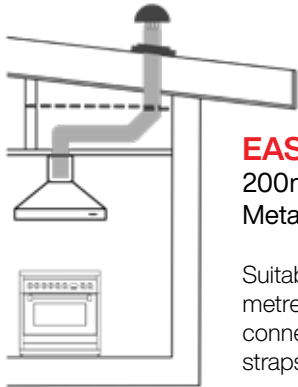
## CLASSIC ALFRESCO RANGE

### SL80BBQ120ELM

1200MM CANOPY WITH TWIN MOTOR



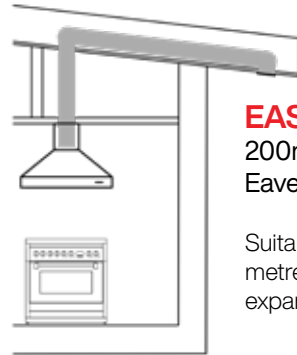
### DUCTING OPTIONS



#### EASYROOFKIT

200mm diameter  
Metal/Tiled Roof Installations

Suitable for duct runs of up to 4 metres, semi-rigid, solid duct, internal connectors, clamps, flashing, bracing straps and galvanised cowl included.



#### EASYEAVEKIT

200mm diameter  
Eave Installations

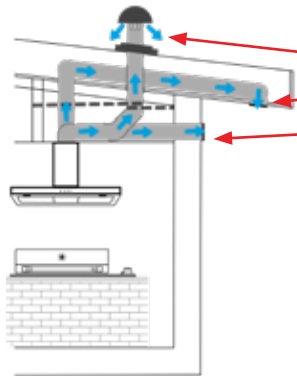
Suitable for duct runs of up to 3 metres, semi rigid, clamps 125/150 expander and eave vent included .



#### EASYWALLKIT

200mm diameter  
External Wall Installations

Suitable for duct runs of up to 3 metres, semi rigid, clamps 125/150 expander and wall vent include.



#### ALFRESCO DUCTING

EASYROOFKIT

EASYEAVEKIT

EASYWALLKIT

NB: rangehood should be 1200mm - 1600mm above BBQ cooking surface.

An interlock or shut-off valve is recommended for enclosed alfresco areas. See user manual for more information.

# 6 Year Warranty

when Sirius ducting is used

Sirius has its own range of ducting kits and components, designed to get the most power and efficiency out of its hoods. The full range of high quality, cost effective ducting kits and individual parts will provide you with the best result for your rangehood.

All EasyKits can be extended with 1 set (2) Universal Ring Clamps (JRC25-215) 1x connector and 1x Semi Rigid Duct length (SRPRO30-150) that expands upto 3 metres.

Visit our website for more information on Sirius Rangehoods, SEM Motors and Sirius Ducting and EasyKits

