

Italian Crafted for
Australian Living



Valentina
collection

CEILING CASSETTE COLLECTION USER MANUAL

OFFBOARD MOTOR RANGES

ATMOS	SLT958EMELWH	9351116006938
ECLIPSE	SLT971EMEL	9351116005320
ORIGAMI	SLT972EMEL	9351116003081
SCREEN	SLT974EMEL	9351116003043
SOLARA	SLT979EMEL	9351116000455

Congratulations on your purchase and thank you for choosing this Sirius product.

CONTENTS

Warnings	3
Before Your Install	5
Ceiling Cassette Collection	6
Rangehood Placement	7
Ducting	9
Installation	10
Using the Rangehood	17
Maintenance	18
Venting Installation Solution	19
Sirius App	21
Wiring Diagrams	26
Exploded Views & Parts	28
Warranty	31



WARNINGS

The air outlet of the appliance must not be connected to a flue which is used for exhausting other fumes from appliances, such as a central heating, boilers etc..

For the external exhausting of the fumes, comply with the regulations in force.

The motor of the peripheral exhausting group is powered by the cooker-hood placed in the kitchen.

Before connecting the cooker hood to the mains supply, make sure that the voltage indicated in the rating plate corresponds to the mains voltage in the home.

Before carrying out any sort of maintenance or cleaning operation, make sure that the appliance is disconnected from the electrical mains.

An appropriate maintenance ensures a good working and a good performance in the long run.

All models are built in Class I, therefore they must be earthed.

Range hoods and other cooking fume extractors may adversely affect the safe operation of appliances burning gas or other fuels (including those in other rooms) due to back flow of combustion gases. These gases can potentially result in carbon monoxide poisoning. After installation of a range hood or other cooking fume extractor, the operation of flued gas appliances should be tested by a competent person to ensure that back flow of combustion gases does not occur.

If a stationary appliance is not fitted with a supply cord and a plug, or with other means of disconnection from the supply mains, it is necessary to predict a contact separation in all poles that provide full disconnection under over-voltage Category III conditions.

Means for disconnection must be in-governance with local, state and national building regulations fixed wiring in accordance with the wiring rules.

The minimum distance between the cooktop surface and the lowest part of the range hood shall be at least 60 cm. If the instructions for installation specify a greater distance, this has to be taken into account.

This appliance is not intended for use by persons (including children) with reduced physical, sensory or mental capabilities, or lack of experience and knowledge, unless they have been given supervision or instruction concerning use of the appliance by a person responsible for their safety.

Children should be supervised to ensure they do not play with the appliance.

Cleaning and user maintenance shall not be made by children without supervision.

If the power cable is damaged, it must be replaced by a cable or a special assembly, available from the manufacturer or its service department technique.

Cleaning and user maintenance shall not be made by children without supervision.

If the power cable is damaged, it must be replaced by a cable or a special assembly, available from the manufacturer or its service department technique.

The room must have adequate ventilation when using the kitchen hood simultaneously with other appliances that use gas or other fuels (not applies to appliances that simply release the air back into the room).

There is the possibility of fire if the cleaning operations are not carried out as indicated in the instructions.

Do not prepare food over open flames as sucked flames are a risk of damage to the appliance.



ATTENTION

The accessible parts can burn if used in conjunction with the cooking appliances.



ABOUT THE CEILING CASSETTE

- This appliance is designed for normal domestic use. It is not designed for commercial or industrial use, or for purposes other than those for which it was designed.
- The appliance must be used by adults. Keep the appliance out of reach of children and always supervise when in use. Children must not operate the controls.
- When the appliance is delivered, check the overall appearance of the packaging. Any remarks should be written on the delivery coupon, of which you keep a copy.
- Any consequences of or damage from incorrect installation or incorrect use of the appliance will not be covered by the manufacturer's guarantee.
- Do not change or try to change the characteristics of this appliance. This would be a danger and will void any warranties.
- Repairs must be performed only by an authorised technician. Always disconnect the hood before carrying out cleaning or maintenance operations.
- Adequately ventilate the room when a cooker hood and other appliances, powered by energy other than electricity, are used simultaneously, so that the hood does not suck any combustion fumes.
- Do not cook food over open flames (flambé) or operate cooktops without pots or pans on them under the hood itself (the flames sucked into the hood might damage the appliance).
- Frying with oil must be done under constant supervision as hot oils and fats may ignite
- Respect the guidelines for cleaning and replacement of grease filters. Accumulated deposits of grease are a fire hazard.
- Never use steam or high-pressure devices for cleaning your hood (regulations regarding electrical safety).
- Never use the rangehood without the grease filters in place.
- The recommended install height from the cooking surface to the rangehood is minimum 900mm to maximum 1800mm.
- When handling the rangehood, never put your hands or other objects in the field of action of the unit.
- This appliance may be used by children aged from 8 years old if supervised. Cleaning and user maintenance must not be made by children.
- If the supply cord is damaged, it must be replaced by the manufacturer, its service agent or similarly qualified persons in order to avoid a hazard.
- If the supply cord of the appliance is provided with a cooktop, this must be easily accessible.
- You may also find these instructional materials on our website: www.siriusaustralia.com or www.siriusnz.co.nz
- The air being drawn can't be conveyed through or into a duct used to let out fumes from appliances fed by energy other than electric power (eg. centralised heating, radiators, water heaters, etc.).
- Attention: remove any possible PVC film from the stainless steel, including the filters.
- To externally vent, please comply with the rules as set out by your governing area.
- The room must be provided with adequate ventilation when a rangehood and additional appliances are fed by energy other than electric power (gas, oil, or coal stoves, etc.) and are used simultaneously. The rangehood, when evacuating the air, could generate a negative pressure in the room which can't exceed the limit of 0.04 mbar, in order to avoid the suck of exhausts deriving from the heat source. Therefore the room should be provided with air intakes to allow a constant flow of fresh air.
- The minimum distance of 90cm should be allowed between the cooktop surface and the lowest part of the range hood (filter). If the instructions for installation specify a greater distance, this has to be taken into account



In the case of the version with external motor, for normal downdraft operation, it is necessary to use an external motor made by Sirius.

We thank you for taking note of these warnings before installing and using the appliance. They have been written for your personal safety and the safety of others.

Emergency Services Australia: 000

Emergency Services New Zealand: 111



WARNING



NEVER try to extinguish a fire with water! Switch off the appliance and cover flame with a fire blanket. If necessary, call the emergency services. Ensure all flames are extinguished.

BEFORE YOU INSTALL - USEFUL DUCTING INFORMATION

Sirius warranty covers only Sirius product. If you choose to install a non-Sirius branded accessory such as flexible ducting, Sirius will only warrant the rangehood and motor. If installation is found to be the cause of failure or issue then charges will apply for service and parts.

Flexible ducting is not permitted under any circumstances. Flexible ducting has been found to increase noise levels, increase vibration and reduce airflow. Sirius Semi-rigid or solid ducting can be used in lieu. There is a range available to suit any application.

- There should be adequate ventilation of the room when the rangehood is used at the same time as appliances burning gas or other fuels (not applicable to appliances that only discharge the air back into the room).
- The details concerning the method and frequency of cleaning.
- There is a fire risk if cleaning is not carried out in accordance with the instructions.
- Do not flambé under the range hood.
- **CAUTION:** Accessible parts may become hot when used with cooking appliances.
- Only use Sirius Ducting with a maximum length of 7 metres & minimum of 2 metres from the outlet collar on the cassette to the motor location.
- Limit the number of elbows in the ducting, since each 90 degree bend reduces the air capacity by 1 lineal metre (e.g. if there are 2 x 90 degree bends, the maximum duct length should not exceed 5 metres).
- Avoid abrupt changes of direction where possible, bends of more than 90 degrees should be avoided at all costs.
- 150mm ducting is applicable for SLT958EM, SLT972EMEL, SLT974EMEL models only.
- 200mm ducting is applicable for SLT979EMEL model only.
- Please ensure the motor is accessible for servicing purposes. Additional charges are applied if access is not deemed reasonable.



WARNING



Reduction of the ducting diameter will void the manufacturer warranty as it will severely affect the performance of the motor and may cause damage with prolonged usage.

Ducting solutions available, visit www.siriusaustralia.com or www.siriusnz.co.nz

6 Year Warranty when Sirius Ducting is used. Full replacement warranty on parts and labour.

See website for terms & conditions.

A reduction in the duct diameter from stated ducting size will void warranty.

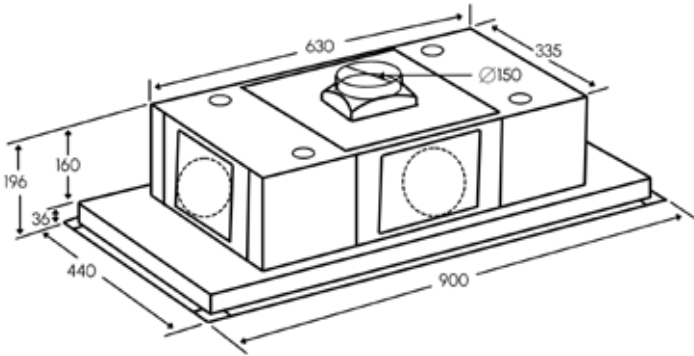
If you are in doubt about the ducting, please contact Sirius prior to installation

AUS - 1300 762 219 or NZ - 09 306 1020

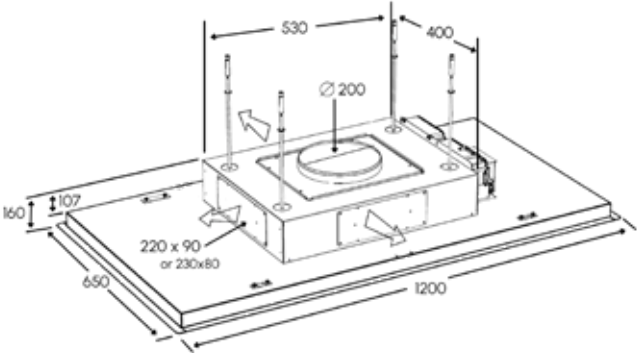


The symbol on the product or on its packaging indicates that this product may not be treated as house-hold waste. Instead it shall be handed over to the applicable collection point for the recycling of electrical and electronic equipment. By ensuring this product is disposed of correctly, you will help prevent potential negative consequences for the environment and human health, which could otherwise be caused by inappropriate waste handling of this product. For more detailed information about recycling of this product, please contact your local city office, your household waste disposal service or the shop where you purchased the product. This appliance is marked according to the European directive 2/96/EC on waste electrical and electronic equipment (WEEE).

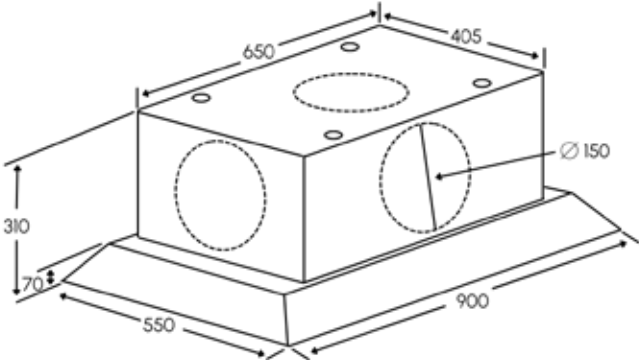
Offboard Ceiling Cassette Collection



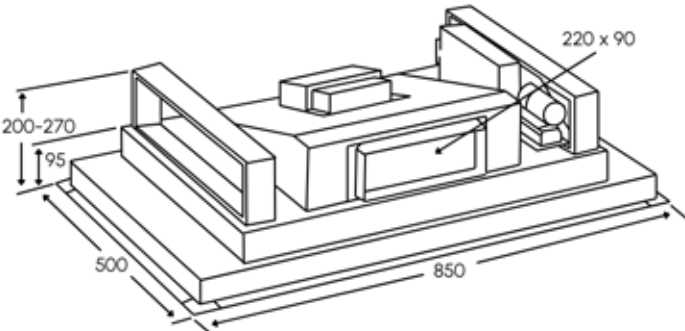
Atmos - SLT958



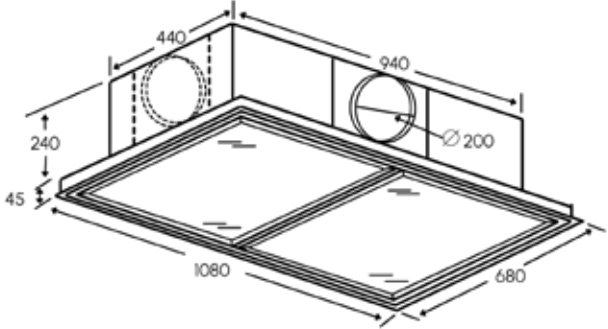
Eclipse - SLT971



Origami - SLT972



Screen - SLT974



Solara - SLT979

WHERE TO PLACE YOUR RANGEHOOD

It is important to keep these instructions for use with the appliance. If the appliance should be sold or passed on to others, make sure that the instructions are passed on with it.

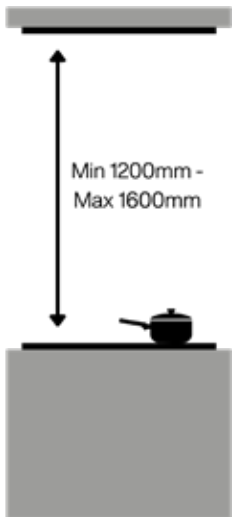
This rangehood works best with ducted outside evacuation.



If the rangehood is positioned above the max height recommended, warranty may be compromised as performance of the rangehood will be affected. Measurement is taken from the top of the trivets to the underside of the hood. (Fig.1)

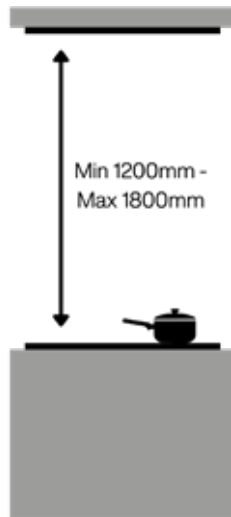
Height Clearance for

- SLT958
- SLT972
- SLT974



Height Clearance for

- SLT971
- SLT1979



When placing your rangehood, ensure it is placed to cover the most cooktop surface as possible.

Using a rangehood that is smaller than the cooktop may void the warranty and will result in a poor performance. The rangehood needs to be adequately sized to effectively capture and remove smoke, steam, and cooking odours.

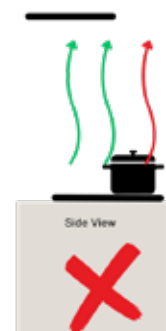
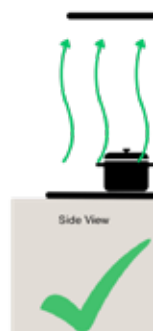
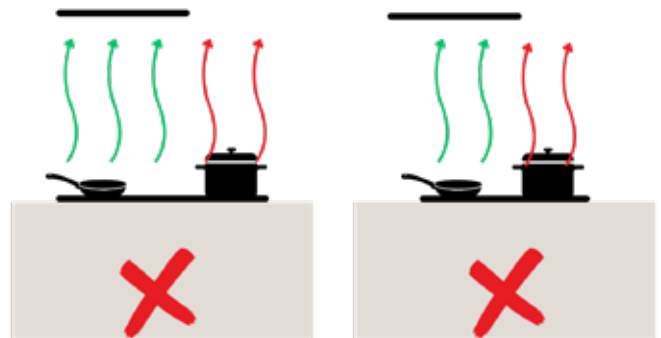
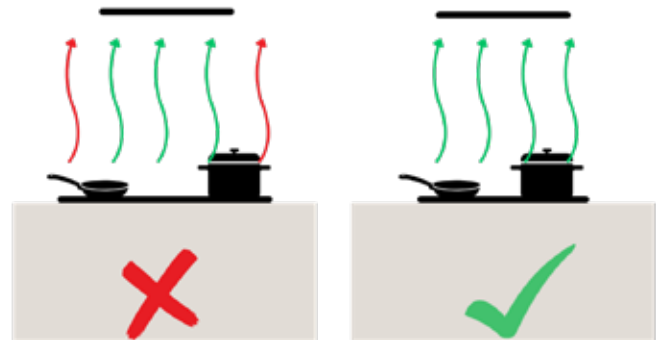
For optimal performance, it is crucial to match the rangehood size to the cooktop. This ensures the cooking area is covered and extraction is being pulled from correct area.

At Sirius, we are constantly seeking to improve our products. We reserve the right to modify their technical, functional, or aesthetic characteristics deriving from their upgrading.

Motors manufactured and approved by Sirius only are to be used at all times. Failure to comply with this will result in the forfeit of the manufacturer warranty.

For even better performance especially for cooking with multiple burners and strong odours, it may be recommended to use a rangehood larger than the cooktop area. Please also note Induction cooktops produce 50% more condensation than gas so please also take this into consideration when choosing the best rangehood for your kitchen.

This information serves as a general guide; the diagrams are not to scale and may not cover all situations.



PRE-INSTALLATION CHECKS

Connect all of the electrical components to the unit and motor to make sure both the unit and the motor are functioning properly.

Remove all plugs and proceed with installation if both unit and motor are fully operational.

Before proceeding with the installation of the ceiling cassette, please thoroughly inspect the entire unit (including the motor) for any damages, including all of the electrical connections. If any damage is found, cease installation and report it immediately to the retail partner that the cassette was purchased from.



Installation must comply with the regulations in force regarding the ventilation of enclosed environments. In particular, discharged air must not be conveyed into a duct used for fumes

discharge or discharge from appliances using gas or other combustible materials. Air cannot be ducted into roof space. The use of discontinued ducts is not allowed without the approval of a qualified technician.



WARNING





The appliance must be installed and connected to the power supply only by a qualified technician.

Sirius warranty covers only the Sirius product. If you choose to install a non-Sirius branded accessory such as flexible ducting, Sirius will only warrant the hood and motor. If installation or inferior parts are found to be the cause of failure or issue then charges will apply for service and parts.

Flexible ducting is not permitted under any circumstances. Flexible ducting has been found to increase noise levels, increase vibration and reduce airflow. Sirius Semi-rigid or solid ducting can be used in lieu. There is a range available to suit any application.

Available at www.siriusaustralia.com or www.siriusnz.co.nz

If the rating label on the rangehood shows the symbol  the appliance is built in Class II° and it does not need any earth connection.

If the rating label on the rangehood does not show the symbol  the appliance is built in Class I° and it does need the earth connection.

When performing the electrical connections on the appliance, please make sure that the current-tap is provided with earth connection and that voltage values correspond to those indicated on the label placed inside the appliance itself.

Before carrying out any cleaning or maintaining operations, the appliance needs to be switched off. If the appliance is not provided with a non-separable flexible cable and plug, or with another device ensuring omnipolar disconnections from the grid, with an opening distance between the contacts of at least 3mm, then such disconnecting devices must be supplied within the fixed installation. If the fixed appliance is endowed with a supply cord and a plug, the appliance has to be put in a place where the plug can be reached easily.

The use of materials which can burst into flames should be avoided in close proximity of the appliance. When frying, please pay particular attention to fire risk due to oil grease. Being highly flammable, fried oil is especially dangerous. Do not use uncovered electric grills. In order to avoid possible fire risk, all instructions for grease-filter cleaning and for removing eventual grease deposits should be strictly followed.



WARNING



Failure to install the screws or fixing device in accordance with these instructions may result in electrical hazards

DUCTING

If your ceiling cassette is designed to be installed with rectangular ducting, you can find available components on our Sirius website.



Rectangular Length
(1.2m)



Rectangular
Connector



Vertical Curved
Connector

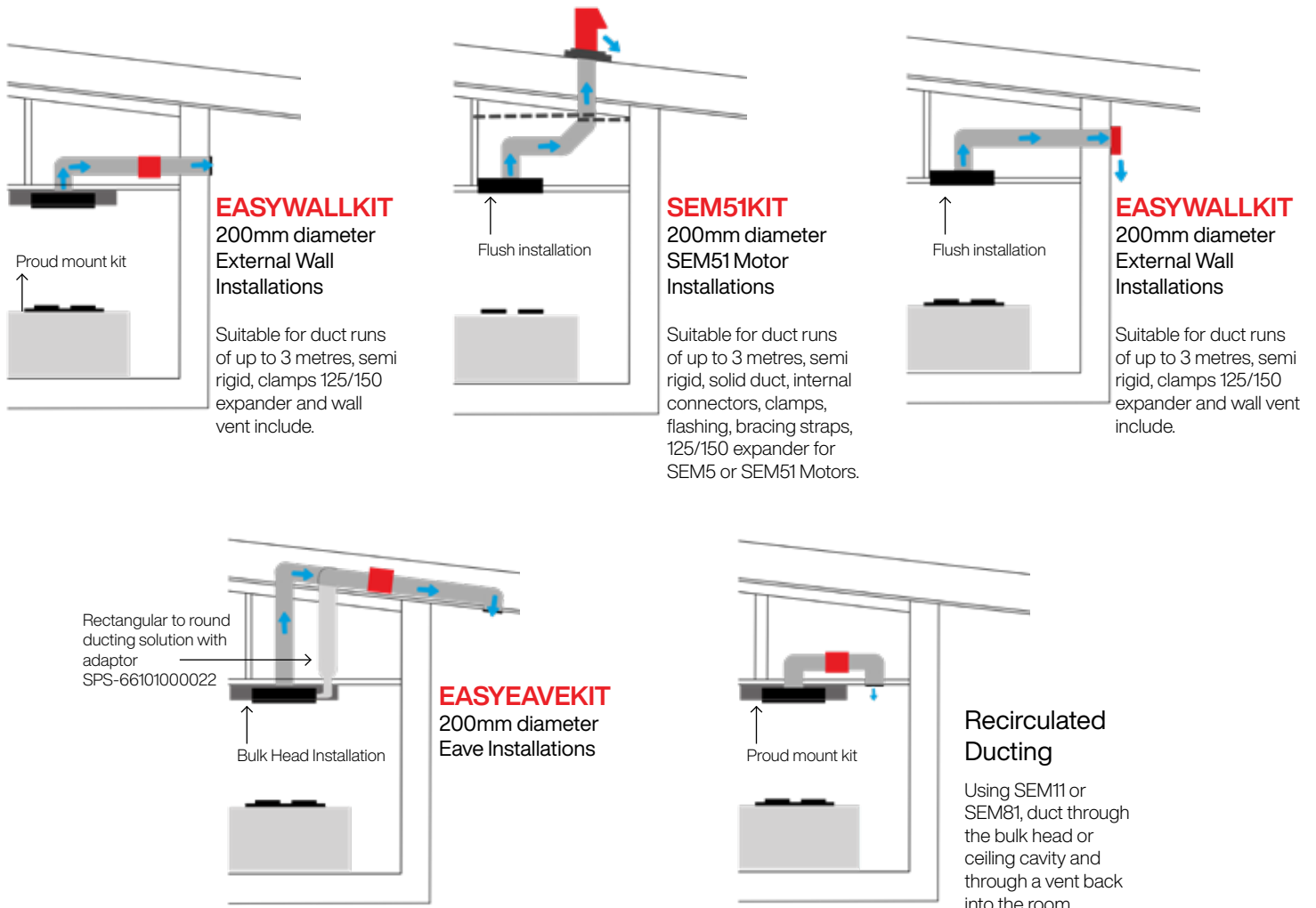


Horizontal Curved
Connector



Rectangular to Round
Adaptor

DUCTING SOLUTIONS



This ceiling cassette can be recirculated with the addition of carbon filters and when installed in a bulk-head. Note that you cannot duct with a vent going into the ceiling cavity.

6 Year
Warranty
when Sirius ducting is used

OFFBOARD CEILING CASSETTE RANGEHOOD INSTALLATION



Before installing the appliance, make sure that none of the parts are damaged in any way. In case of damaged parts, contact your retailer and do not proceed with installation. Read all of the following instructions with care before installing the appliance.

To install the appliance please follow these instructions:

- The appliance must be installed by qualified technicians, or where possible use a Sirius recommended installer. See www.siriusaustralia.com.
- In order to avoid damage to the electronic parts of the appliance, please do not use additional screws
- There needs to be at least 200mm height for the cassette to fit into the cavity to house the rangehood



As every installation will differ slightly depending on the ceiling cavity of the dwelling, this installation shall be used as a guide only.

- Use ducting within the min/max specifications
- Use ducting of the shortest possible length
- Limit the number of ducting bends
- Only use materials approved by standards and regulations
- Do not make any changes in ducting diameter (recommended constant diameter: \varnothing 150 mm / \varnothing 200 mm or equal surface area).



Caution:

Before connecting any ducting to the motor, make sure the non-return valves, located on the air outlet of the motor, can swing open.



SLT974EMEL ONLY:

Installation of the ceiling cassette can either be installed 50mm proud mounted or 260mm proud with the additional purchase of the stainless steel proud mount kit (SPS-75005980960)



WARNING



The rangehood is quite heavy, so two people will be needed for installation.

IN CASE THE HOOD COMES WITH A GLASS PANEL BEFORE INSTALLATION, IN ORDER TO AVOID ANY POSSIBLE DAMAGE TO THE GLASSES, WE RECOMMEND TO REMOVE THEM BY UNSCREWING THE EIGHT SCREWS

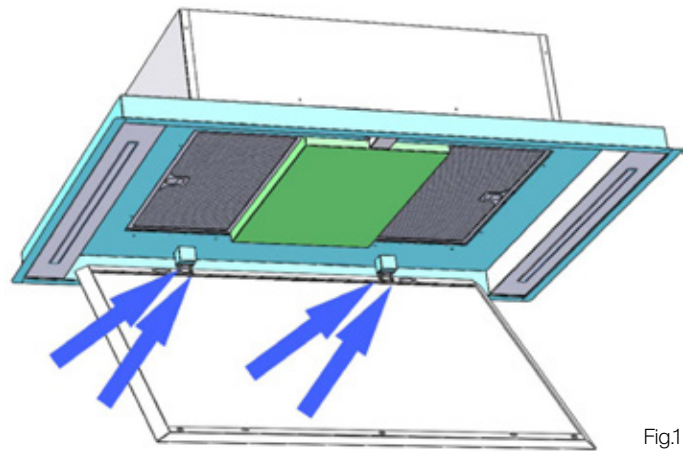


Fig.1



Where you intend to install the appliance, you must create a recess which will have a rectangular opening to fit the ceiling cassette - see page 11 for cutout and mounting hole dimensions.

This recess must have adequate room to house the height of the rangehood, between 200 to 280mm, as well as have adequate room for the ducting to be fitted.

Ceiling cassettes may be installed flush into the ceiling, or into a bulk-head. The following models have bulk-head Proud Mount Kits available:

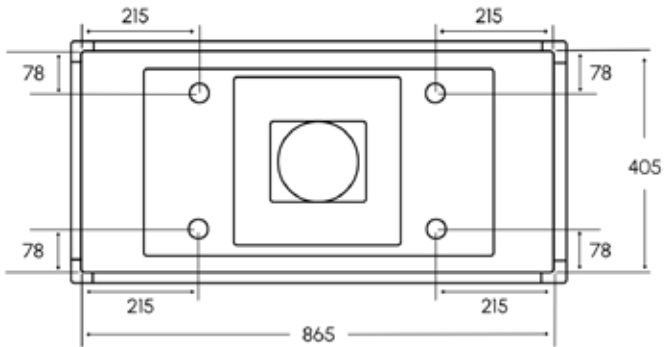
SLT971EMEL - 170mm kit - SKU: 75455981971

SLT971EMEL - 290mm - SKU: 75455980971

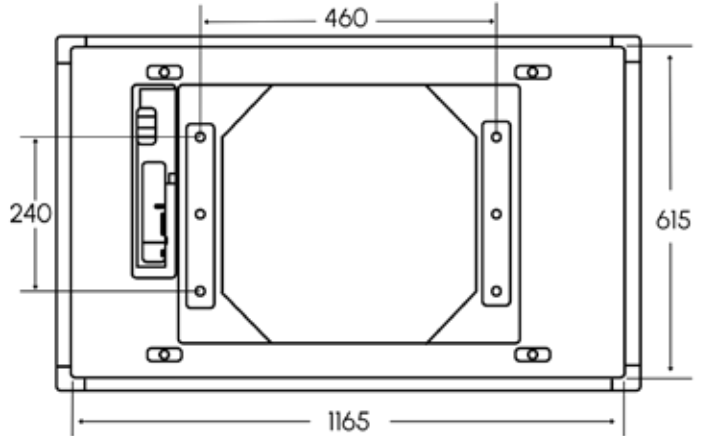
SLT974EMEL - 300mm - SKU: SLT974EMKIT

LINE MEASUREMENTS FOR CUTOUTS & MOUNTING HOLES

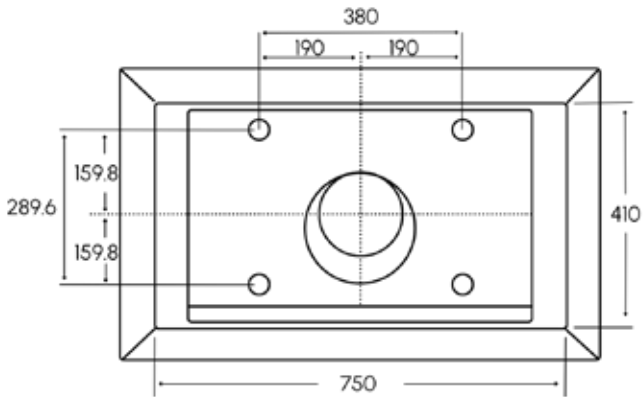
SLT958EMEL



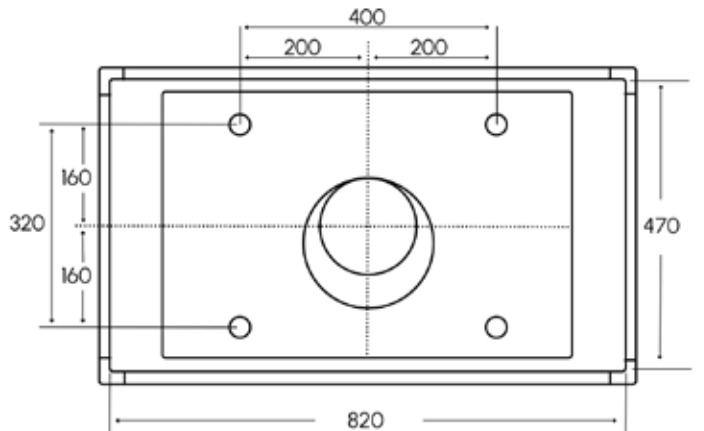
SLT971EMEL



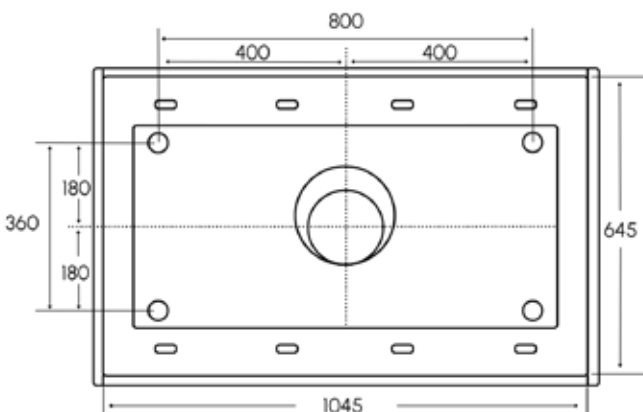
SLT972EMEL



SLT974EMEL



SLT979EMEL



WARNING



Technical specifications and product sizes may vary without notice. Cut out dimensions are indicative only and physical measurement should be taken as a precautionary measure to ensure no issues arise with fitment.

OPENING THE COVER PANELS

On the side where the speed control light is visible, pull down in the centre of the panel. The panel is held on by a strong magnet. Allow the panel to swing open to expose the grease filters. (Fig.3a) A chain is fitted for safety purposes.

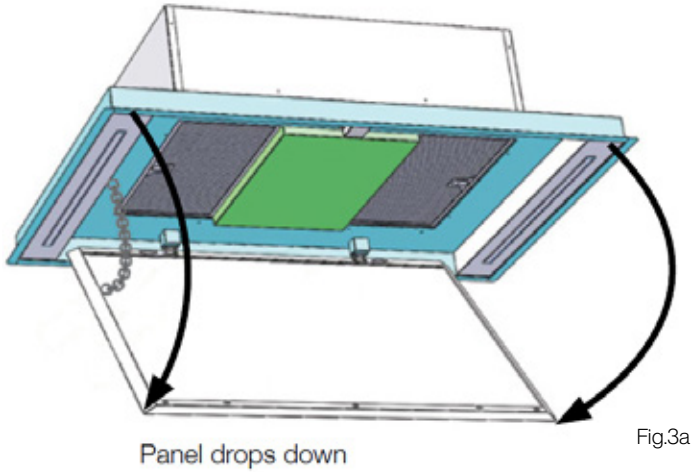


Fig.3a

For SLT979EMEL: Accessibility to the filters is done by pulling down on the glass panels. These are held on by magnets. Swing the glass panels downwards on either side to expose the grease filters. A chain is fitted for safety purposes. (Fig.3b)

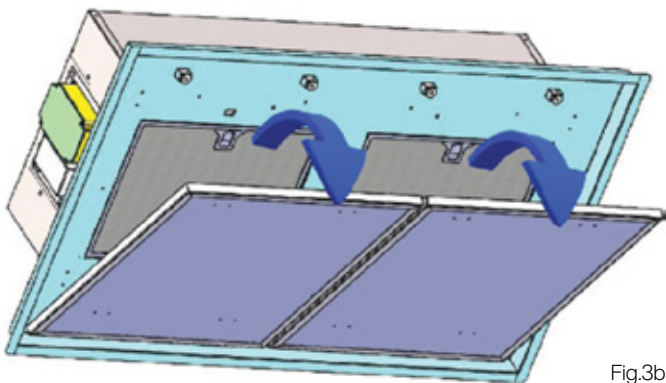


Fig.3b

Remove the filters as per Fig.4

With the panel open, you can access the internal components and install the screws to secure the cassette.

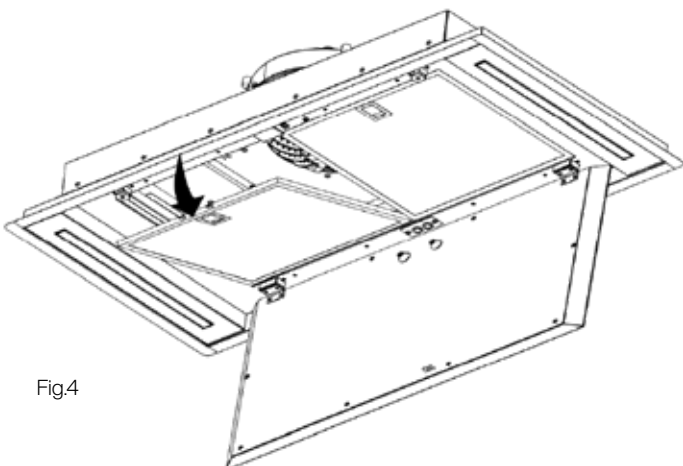
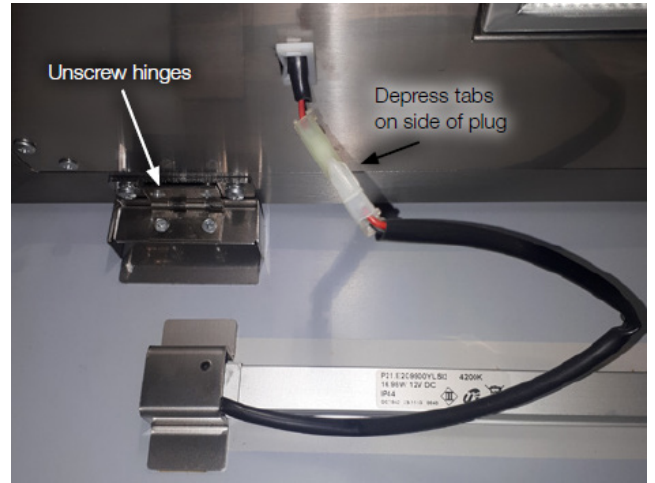


Fig.4

Disconnect the lighting by depressing the tabs on the connection plug and pulling the cable.

So that no damage is caused during the installation process, remove the panels by unscrewing the hinges on the underside of the cassette. This will also lighten the cassette to make lifting it into place and installation easier.



FIXING THE CEILING CASSETTE: SLT972, SLT974, SLT979

These cassettes are held in place with the use of the 4 x 250mm threaded bolts. Using the measurements on page 11 line drawings ensure that there is timber framework (not supplied) inside the cavity to support the weight on the cassette. Please refer to each individual measurement for the exact location of the mounting holes or take a physical measurement of the location when the cassette has been unpackaged.



Fig.5

INSTALLATION WITH TIMBER SUPPORT BEAMS: After running the timber support beams in the cavity above, pre-drill 4 x 8mm holes through the timber and pass the 4 x 250mm bolts through them, ensuring that the larger washer is on the INSIDE OF THE CEILING CASSETTE. (Fig.6)

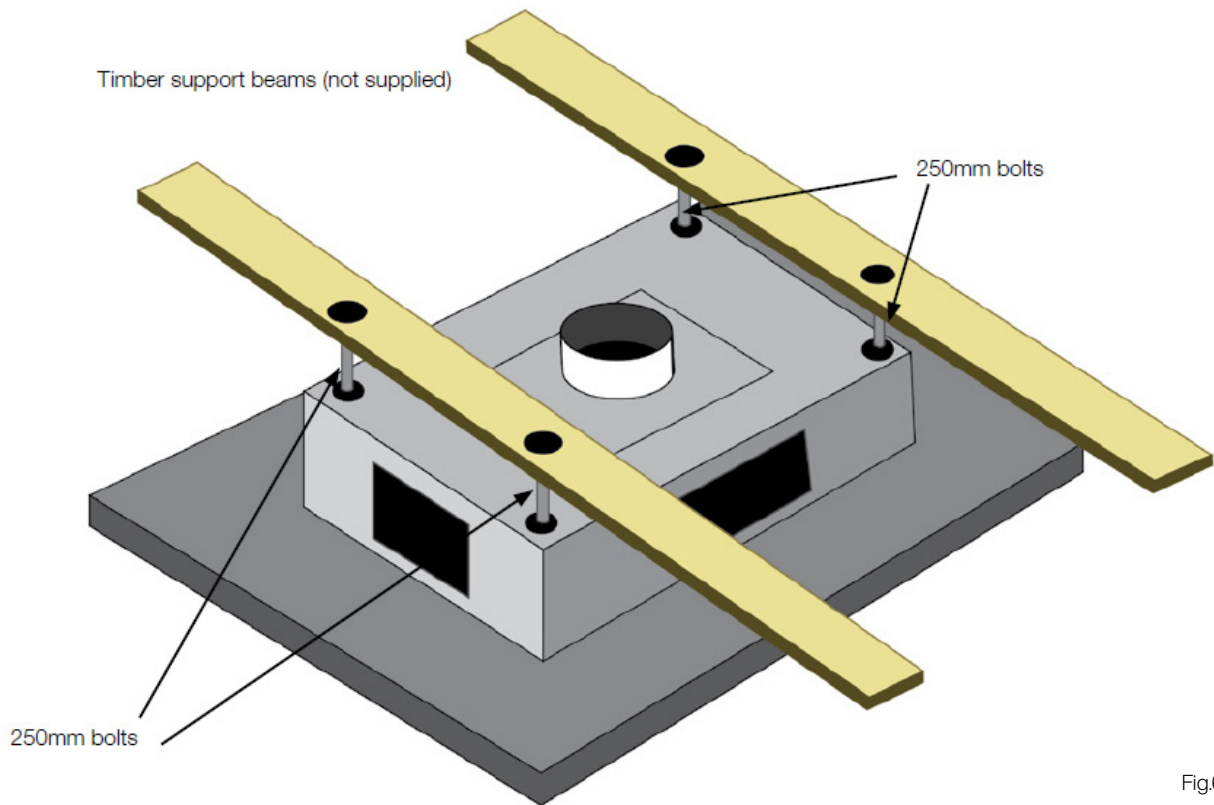


Fig.6

Lift the cassette into position and ensure that the 4 x 250mm bolts pass through the mounting points. Fit the larger diameter washer first and then wind the wingnut up the thread and tighten the cassette into position. These will enable you to flush the unit tight with the ceiling (Fig.7).

After screws are fitted, replace the filters (Fig.4) and panels by reattaching the hinges and reattaching the light cable (Fig.3a/b).

Ensure that the venting outlets that you are not utilising are blocked off with the included plates.

Connect the external motor's cable to the terminal board found inside the plastic box of the wiring. Make sure to respect the colors of cables when performing the electrical connection.

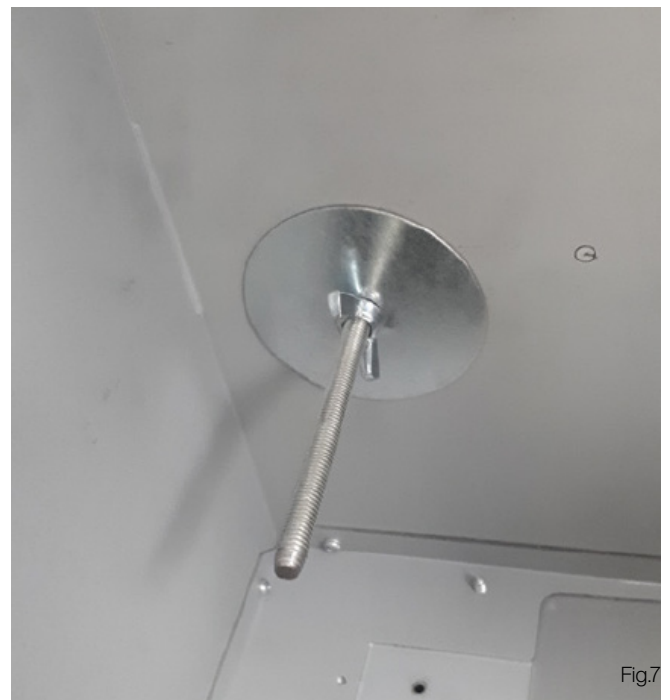
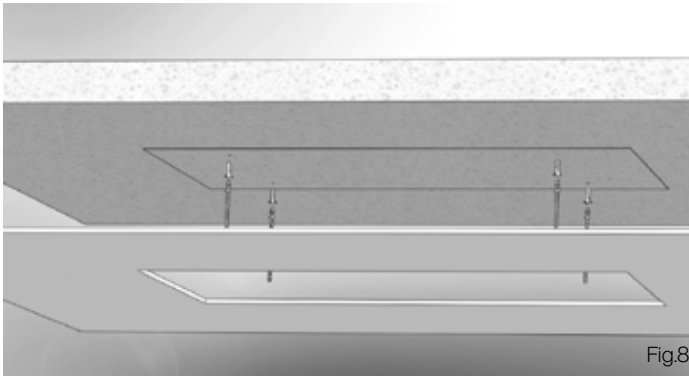


Fig.7

FIXING THE CEILING CASSETTE: SLT958

Using the dimensions on page 11, mark out your ceiling cassette and mounting holes. If you cannot secure into a solid ceiling, timber support beams may be required (see Fig.6).

Place the provided metric plugs in the mounting holes.



Screw the threaded bars provided into the plugs (Fig.9); the threaded bars are 250mm long and serve to install the ceiling-mounted hood at a distance from the solid ceiling of between 270mm and 370mm (Fig.10); in case of a larger gap between the hood and the ceiling, you need to use longer threaded bars.

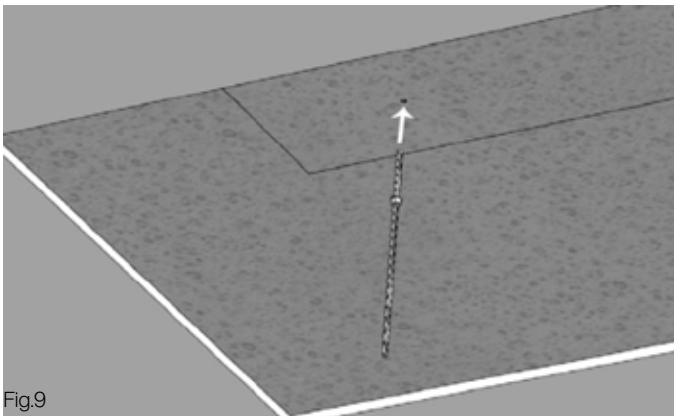


Fig.9

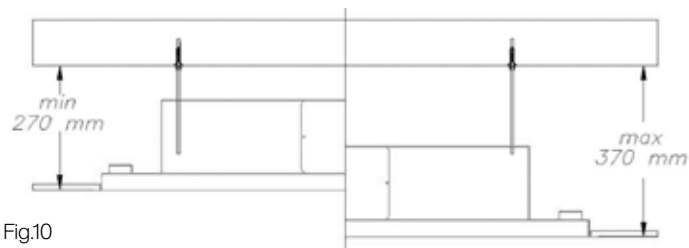


Fig.10

Make the electrical connections and connect the air outlet pipe; place the ceiling-mounted hood into the niche, by inserting the threaded bars into the holes (Fig.11)

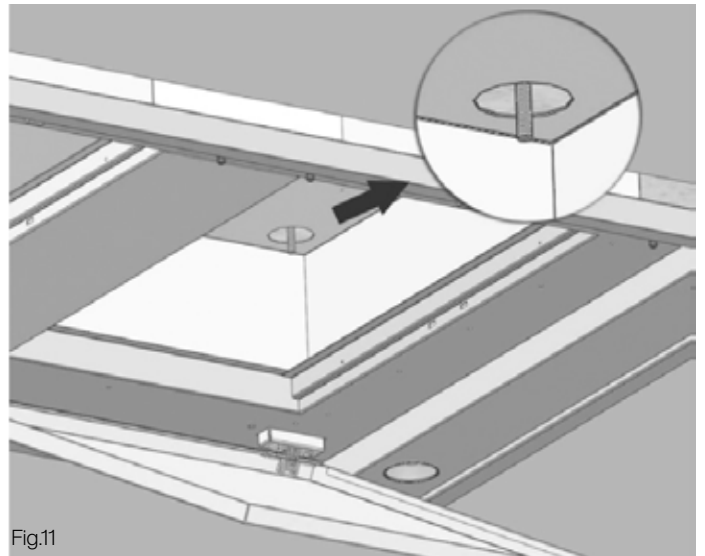


Fig.11

The outer edge of the hood needs to be perfectly flush with the false ceiling. Insert the plates and nuts provided into the threaded bars, making sure to tighten them securely (Fig.12).

Replace the filters and filter cover panels (Fig.4 & Fig.3a/b).

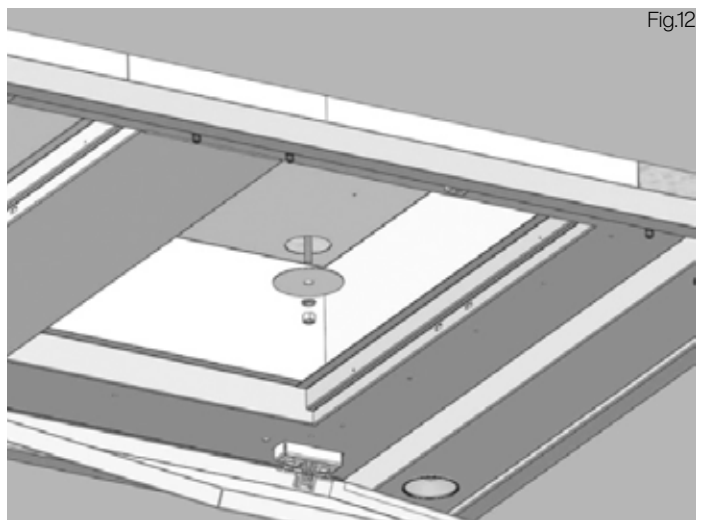


Fig.12

Ensure that the venting outlets that you are not utilising are blocked off with the included plates.

Connect the external motor's cable to the terminal board found inside the plastic box of the wiring. Make sure to respect the colors of cables when performing the electrical connection.

FIXING THE CEILING CASSETTE: SLT971

Mounting brackets are used to secure the ceiling cassette. The ceiling brackets are telescopic, so their height can be adjusted between the ceiling and the hood.

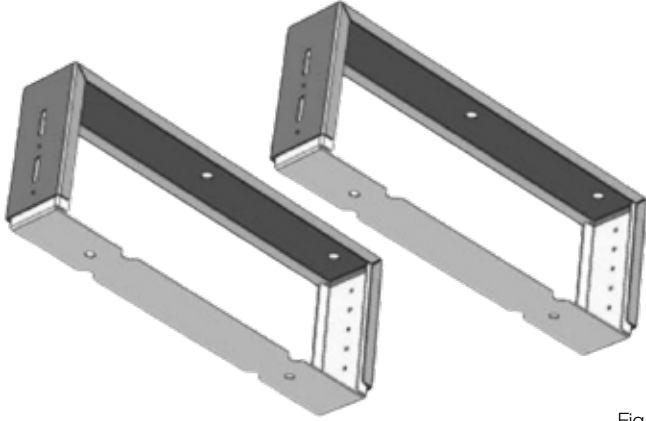


Fig.13

Using the dimensions on page 11, mark out your ceiling cassette and mounting holes. If you cannot secure into a solid ceiling, timber support beams may be required (see Fig.6).

Drill the holes on the ceiling and insert the plastic plugs into the holes made, and then fix the ceiling brackets.

Bring the hood close to the brackets previously fixed and then connect the appliance to the supply mains. Secure the hood to the ceiling, by using the screws supplied, as shown in Fig.14.

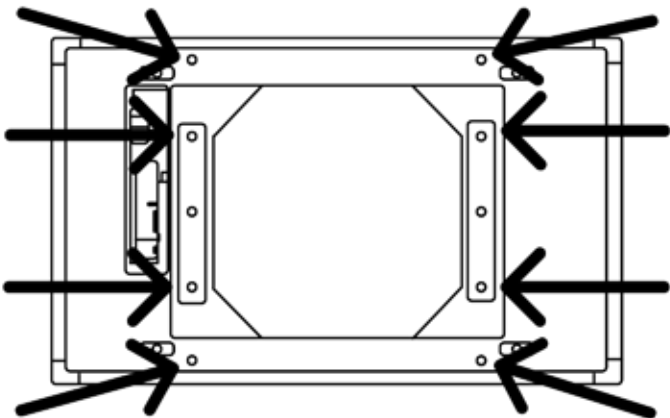


Fig.14

Ensure that the venting outlets that you are not utilising are blocked off with the included plates (Fig.15).

Connect the external motor's cable to the terminal board found inside the plastic box of the wiring. Make sure to respect the colors of cables when performing the electrical connection.

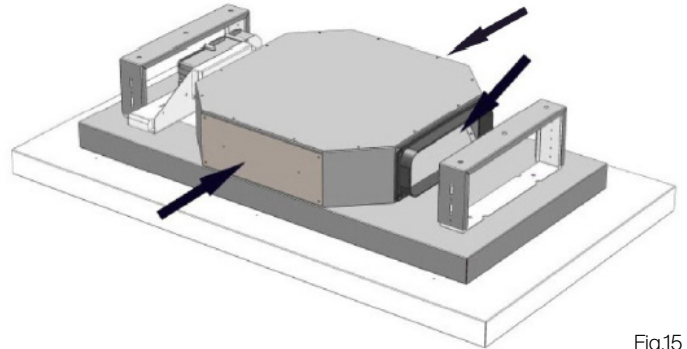


Fig.15

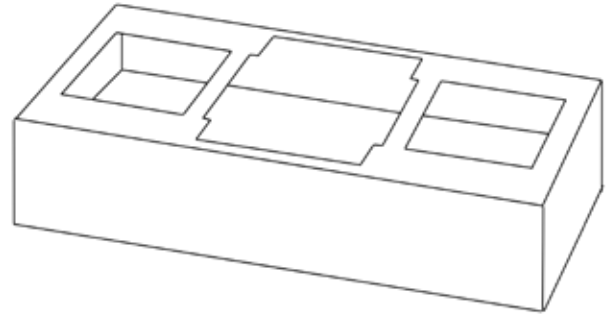
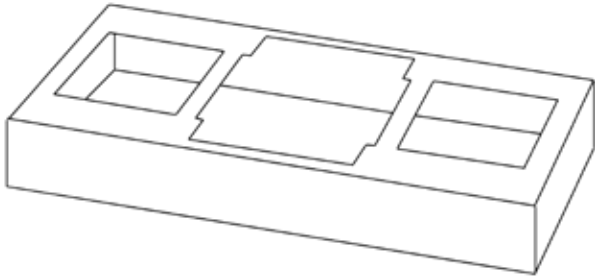


WARNING

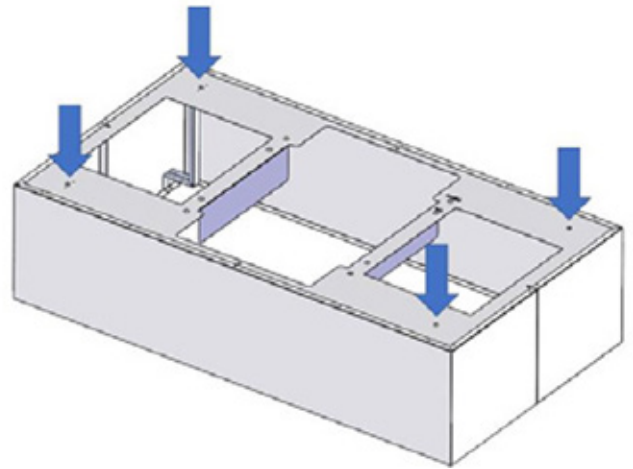
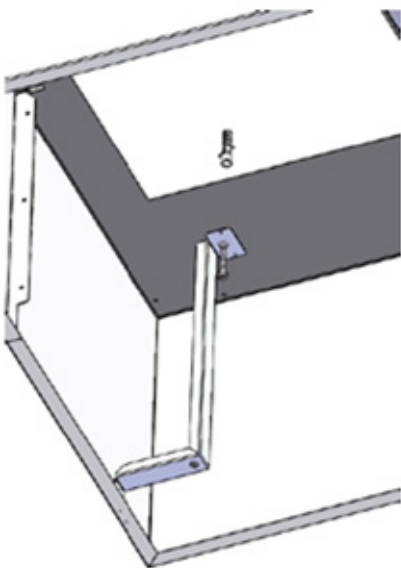


Motor must be accessible for servicing.

INSTALLATION USING A MOUNTING KIT



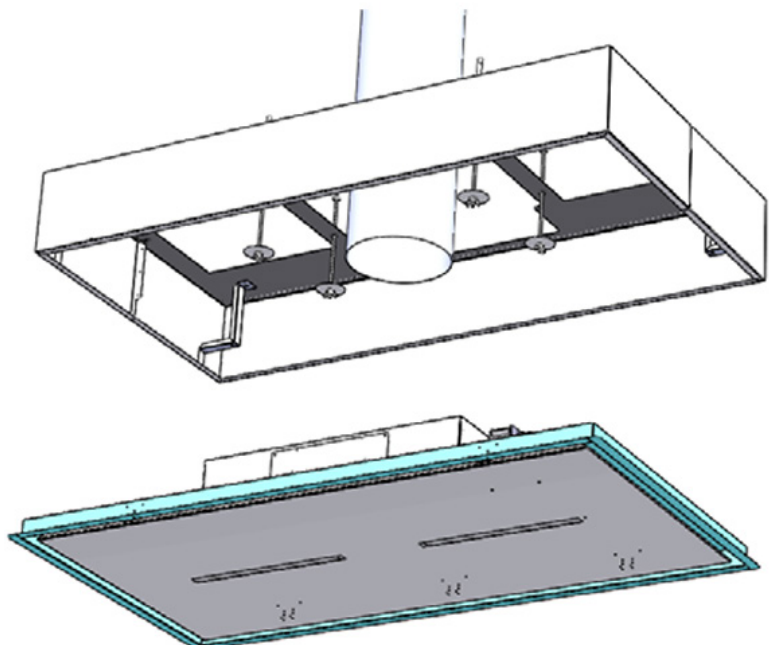
Position the mount kit to the ceiling and mark the perimeter holes for installation.



Drill the holes using an 8mm diameter drill bit then insert the plugs supplied and install the ceiling mount kit.

After installing the mount kit, proceed by making the holes to install the hood. These holes must be made in correspondence with the references in the mount kit.

Proceed by installing the hood as indicated in the user manual. Before inserting the product in its seat, make the electrical connection and connect the ducting for the vent outlet.



USING THE RANGEHOOD'S REMOTE CONTROL

Working:

6 channel control for rangehood remote.

- When the rangehood is first turned on, hold the lighting button for 5 seconds.

TECHNICAL DATA

- Alkaline battery powered: 12 V mod. 23 A
- Operating frequency: 433.92 Mhz
- Combinations: 32.768
- Max. consumption: 25 mA
- Operating temperature: -20 ÷ + 55 °C
- Dimensions: 120 x 45 x 15 mm

OPERATING THE REMOTE

The transmitter is equipped with 5 buttons as specified below:

- ☀ : Light ON/OFF.
- ⏻ : Motor ON (speed level 1) / OFF.
- : Reduce speed.
- ⊕ : Increase speed.
- ⌚ : 10-minute shut-off timer.



DEFAULT OPERATING CONDITION

The manufacturer supplies the remote control unit ready to be used with codes preset in the factory.

STANDARD CONFIGURATION

Standard configuration requires all rangehood remote control systems to be provided with the same transmission code. In the event two rangehoods are installed in the same room or nearby, each system may affect the operation of the another. Therefore, the code of one remote control system must be changed.

Generating a New Transmission Code:

The system is provided with preset codes. Should new codes be required, proceed as follows; Simultaneously press the +, power and - buttons for 2 seconds



When LEDs are on, press the + and - buttons (within 5 seconds).



The LEDs flash 3 times to indicate the procedure is completed.



WARNING



Generating a new transmission code deletes preset codes.

LEARNING THE NEW TRANSMISSION CODE

Once the transmission code is changed in the radio control unit, the electronic central unit of the cooker hood must be made to set the new code in the following way:

Press the main power-off button of the hood and then restore power to the electronic control unit. Within the next 15 seconds, press the Light Button ☀ to synchronise the central unit with the code.

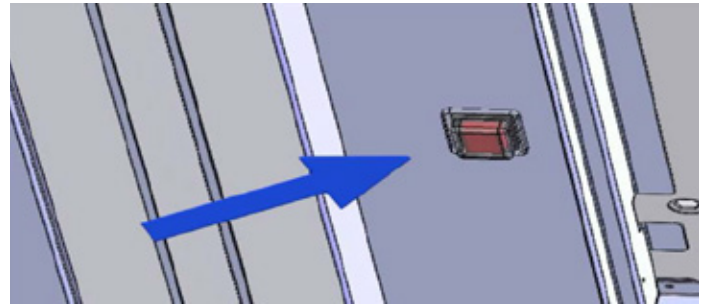


Fig.16

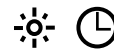
RESET TO FACTORY CONFIGURATION:

To restore the Factory configuration;

Simultaneously press the +, power and - buttons for 2 seconds



When LEDs are on, press the light and time buttons (within 5 seconds).



The LEDs flash 6 times to indicate the procedure is completed.

EMERGENCY BUTTON

In the event that the radio control does not work, use the emergency button to switch the appliance off. After any necessary repairs have been performed, reset the emergency button.

The below product:
RC001 Radio Control
complies with the specifications set out in the
Directive RED 2014/53/EU.



USING THE REMOTE CONTROL

Each color generated by the LED corresponds with a specific speed, as shown below:

- 1 = WHITE
- 2 = BLUE
- 3 = DARK BLUE
- 4 = RED

After 30 hours working, the speed indicator light will flash RED for 30 seconds to signal the saturation of the grease filter. While flashing, it is possible to reset the alarm by pressing the TIMER button.

Dimmable Light Function

Allows for the lights to dim, ranging from 20% to 100%

To adjust brightness: press and hold the light button to dim or increase brightness to desired level. To pick the desired intensity, release the light button.



Dynamic Light Function

This function allows you to pick the colour temperature between cool and warm.

To adjust: turn unit off.

Hold down the **timer button** until lights turn on.

Hold down the **light button** to cycle through.

To select temperature, release the **light button**.

To exit the function, press the **on/off button**.



Usage Tip

Turn on fan 10 minutes before cooking to optimise performance.

MAINTENANCE

Accurate maintenance guarantees good functioning and long-lasting performance.

Particular care is due to the grease filter panel. It can be removed by opening the heated panel (pull the panel down) and accessing the filters. Remove the grease filter, using the special handle. To insert the filter just perform the opposite operation.

To remove the carbon filter, if fitted, follow the same steps as for the grease filter. The carbon filter is located immediately above the grease filter.

The grease filter needs cleaning by regular washing, this can be done by hand or in a dishwasher every two months or after 30 continuous hours, depending on its use.

Button lights will flash when filter needs to be cleaned. To reset, press and hold the timer button for 2 seconds when the motor is off.

Filters may require cleaning sooner if frequent heavy frying is done.

To clean the appliance itself, water and detergent are recommended, while abrasive products should be avoided.



WARNING



If the supply cord is damaged, it must be replaced by the manufacturer or its service agent or a similarly qualified person in order to avoid a hazard.



WARNING



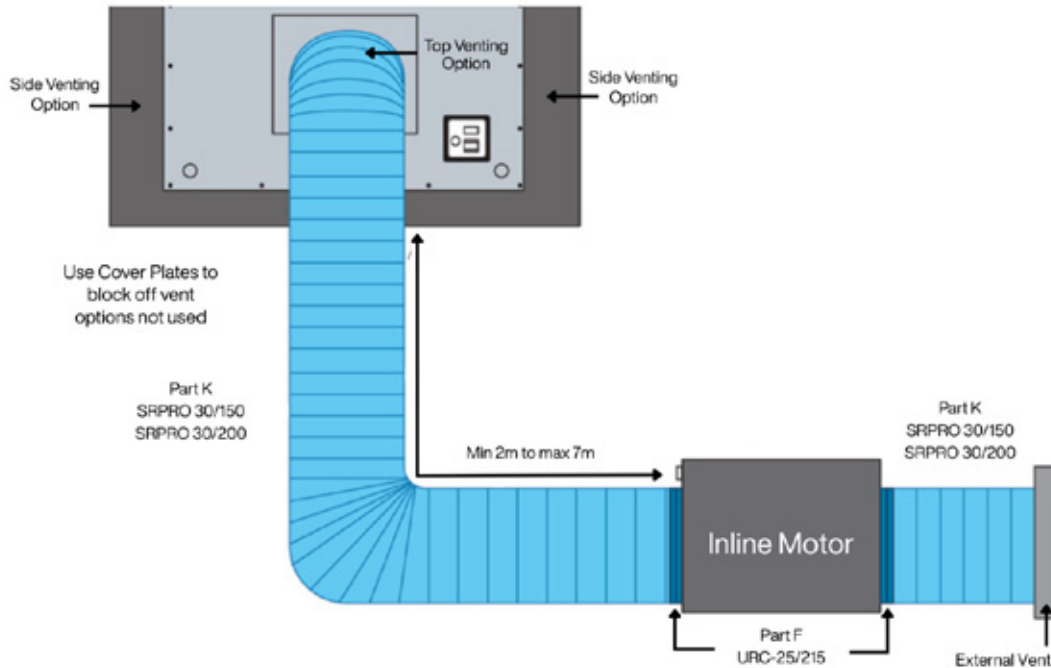
Ensure that all venting sides not being used are blocked off with the included plates.

ROUND VENT INSTALLATION SOLUTION

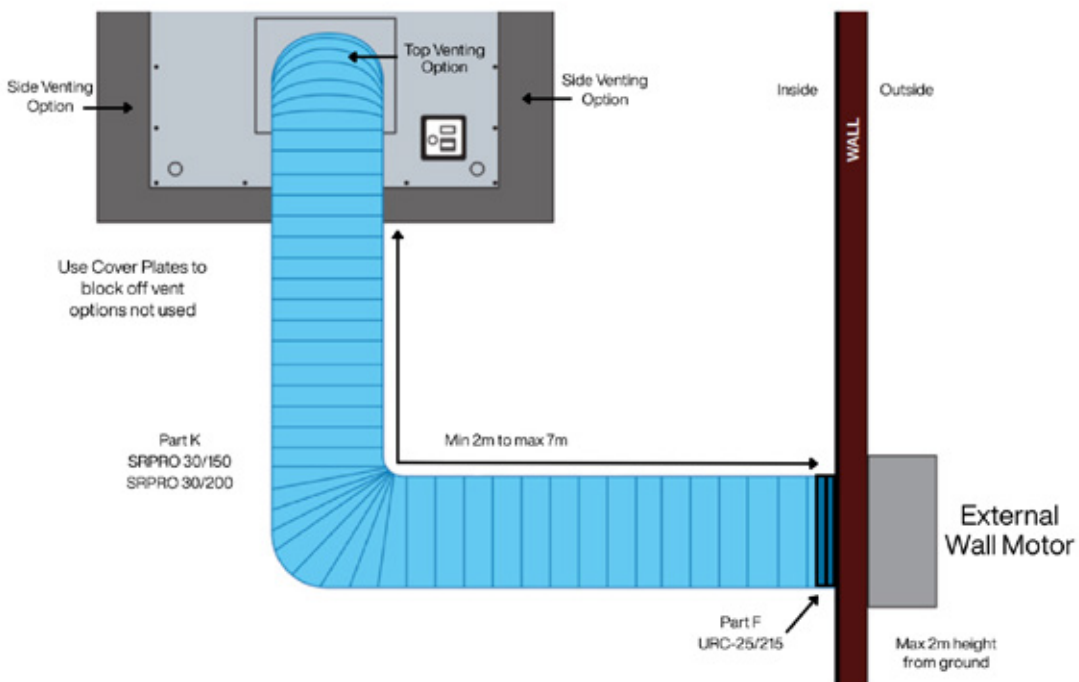
This ducting solution is compatible for the following products:

- SLT958ELEM - top & sides with 150mm ducting
- SLT971ELEM - top only with 200mm ducting
- SLT972ELEM - top & sides with 150mm ducting
- SLT979ELEM - top & sides with 200mm ducting

Using the correct ducting diameter for the unit, the ducting fits directly onto the collar on the adaptor plate. Fix in place using a universal ring clamp. Run ducting to an inline SEM1, SEM11, SEM8 or SEM81 motor and duct out to the atmosphere.



For an external motor solution, using the correct ducting diameter for the unit, the ducting fits directly onto the collar on the adaptor plate. Fix in place using a universal ring clamp. Run ducting through an external wall to a SEM2, SEM21, SEM7 or SEM71 motor.



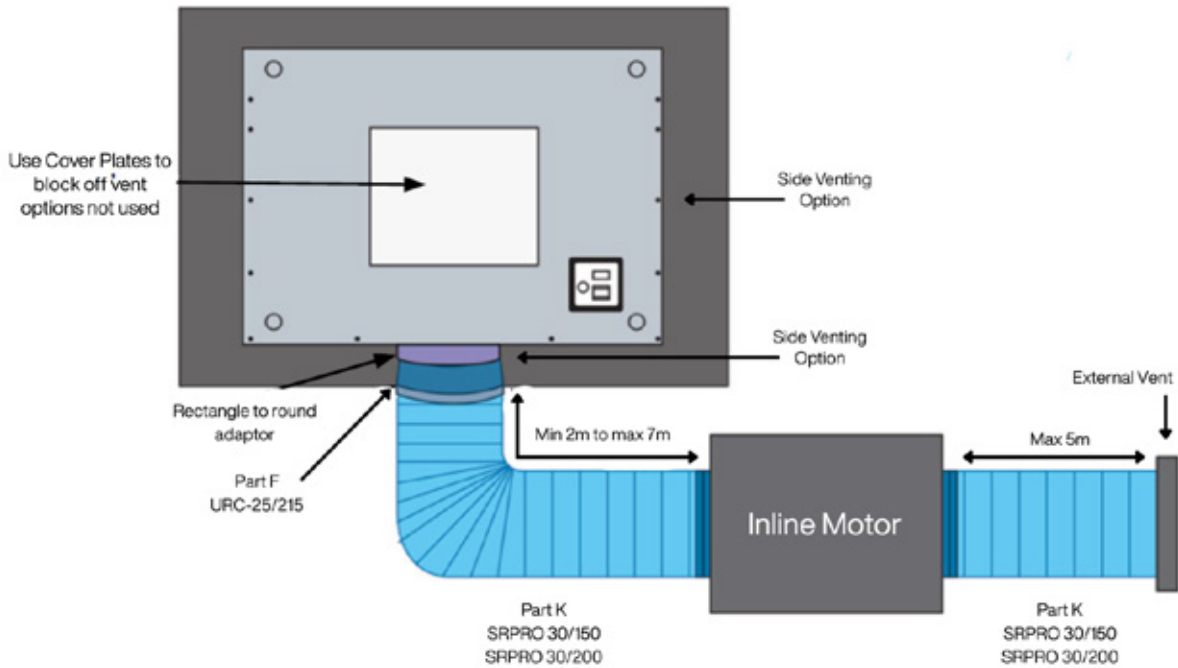
RECTANGLE VENT INSTALLATION SOLUTION

This ducting solution is compatible for the following products:

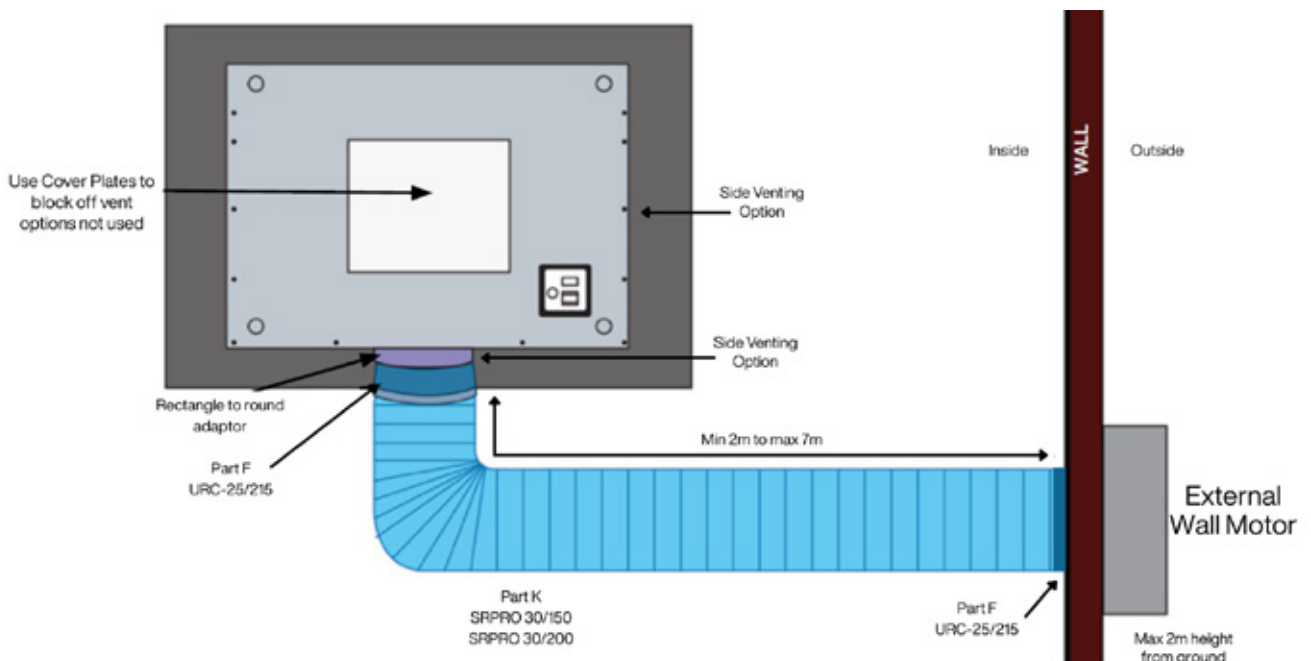
- SLT971ELEM - sides only with 220x90mm rectangular ducting

Note: using a rectangular to round adaptor you can switch to 150mm round ducting along the length of ducting.

Using the correct ducting for the unit, the ducting fits directly onto the collar of the vent. Fix in place using a universal ring clamp. Using a rectangular to round adaptor you can switch to round ducting before the motor connection, fixing in place with a universal ring clamp. Run ducting to an inline SEM1, SEM11, SEM8 or SEM81 motor and duct out to the atmosphere.



For an external motor solution, using the correct ducting for the unit, the ducting fits directly onto the collar of the vent. Fix in place using a universal ring clamp. Using a rectangular to round adaptor you can switch to round ducting before the motor connection, fixing in place with a universal ring clamp. Run ducting through an external wall to a SEM2, SEM21, SEM7 or SEM71 motor.



USING THE SIRIUS APP

Applicable to SLT979EMEL Only



DOWNLOAD SIRIUS APP FOR ANDROID

1. Open the Google Play Store App
2. Search or browse for SIRIUS App.
3. Select it.
4. Tap to Install.
5. Follow the onscreen instructions to complete the transaction and get the content.

You can change what language is displayed when you visit Google Play on your computer by changing your Google Accounts settings.

Note: Apps are designed for use with supported Android and Chromebook devices and can't be used on Windows or Mac computers.



DOWNLOAD SIRIUS APP FOR iOS

1. Open the App Store
 - To install apps, you must sign in with your Apple ID or create one.
2. To browse the App Store, tap Apps (at the bottom).
3. Tap Search (at the bottom) then enter SIRIUS App.
4. Tap the app.
5. Tap GET then tap INSTALL

You can change what language is displayed when you visit Google Play on your computer by changing your Google Accounts settings.

If you have a compatible iPhone with Face ID enabled, double-tap the Side button then look at the screen to authenticate.

If prompted, sign in to the iTunes Store to complete the install

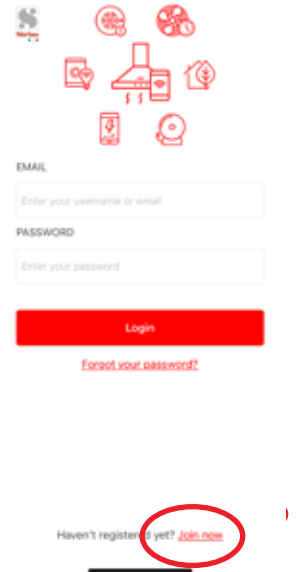
Note: Apps are designed for use with supported Android and Chromebook devices and can't be used on Windows or Mac computers.



Scan the QR Code to watch a video on how to install and use the Sirius App.

CREATE YOUR SIRIUS APP ACCOUNT

Select 'Join now'



Add in your account data. Select 'Agree' and register



Once completed, you'll get a Popup message for successful registration. Check your email for the activation link and confirm your account.

Registration successful

customer@siriuscappe.co...

Hi
your registration has been **successful**. Please confirm [here](#)

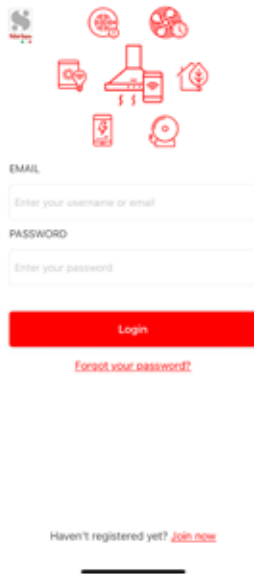
Warning: Warning: Dear user, in order to always guarantee the highest level of safety and reliability, we have provided a system update, with the latest news available on the subject. This update will take place automatically and does not require your intervention. For your APP, all you have to do is check the latest version available on the store (Android / iOS) and carry out the proposed update. Register your user and add your hood to the system. If the registered hood is functional, you will not have to do anything else. If your App doesn't work, don't worry, your product will automatically update within 24H

Thanks,
SIRIUS S.p.A.

Note: The email will come from no_reply@siriuscappe.com, so you can quickly search for it. If it isn't in your inbox, check your Spam or Junk folders. If you cannot find the email, please try to activate your account again. If you still cannot create your account, please send an email to customer@siriuscappe.com

From Login page Insert the e-mail and password of your account and tap **LOGIN**.

Note: If you forgot your password, tap on Forgot your password? insert your e-mail address and tap Send me a Link.



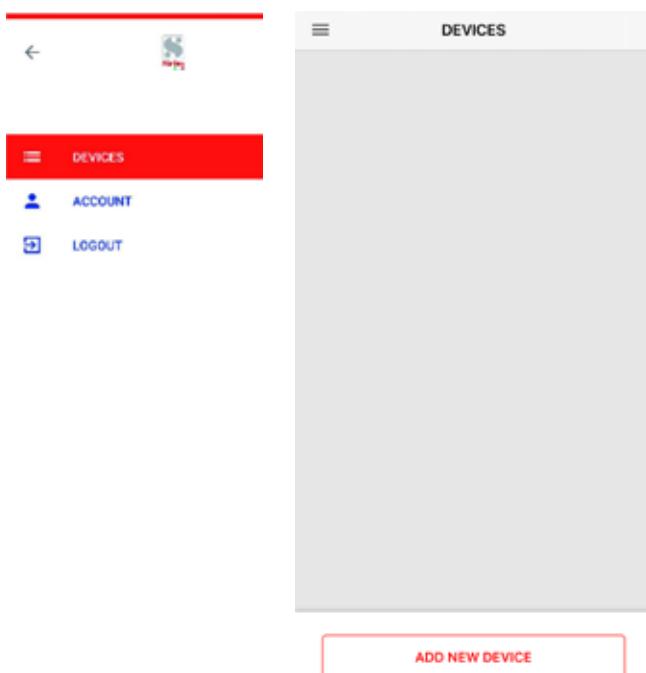
PAIRING YOUR PRODUCT

Fast way using the WPS procedure, if your router has no WPS button, please follow the next instructions.

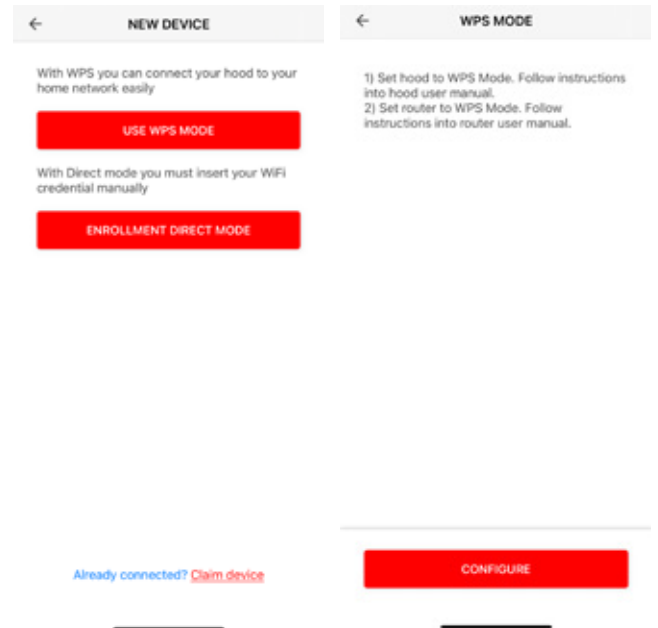
PAIRING VIA WPS MODE

After Login Tap the App Menu (top left) and select **DEVICES**.

Select **ADD NEW DEVICE**



Select **USE WPS MODE**

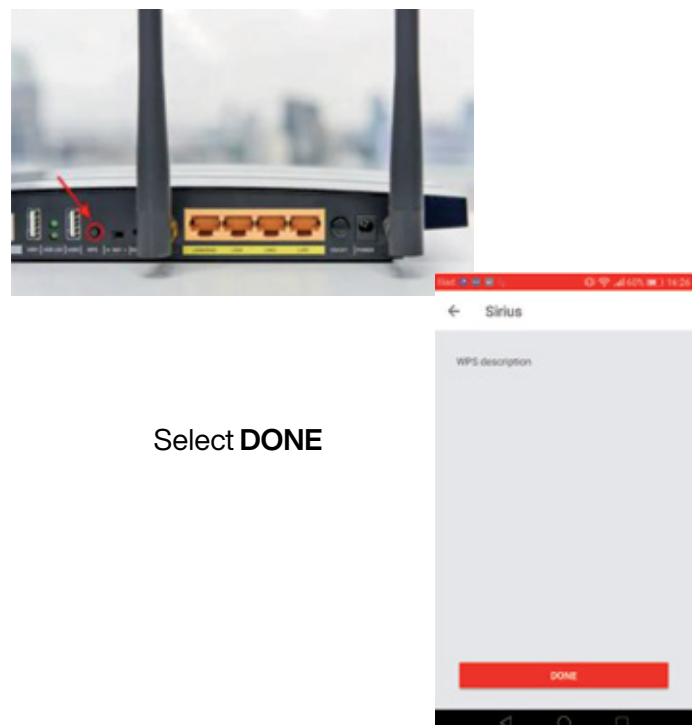


Set the rangehood to WPS Mode

1. Switch rangehood off
2. Hold ① for 3 seconds for settings menu - note lights will flash (⬆️) ①
3. Press ② to enable WPS pairing
4. Hold ① for 3 seconds to save.

Note: If buttons are not pressed within 10 secs the system automatically exits from settings menu and all unsaved operations will be discarded.

On your Router WiFi, press the **WPS** button

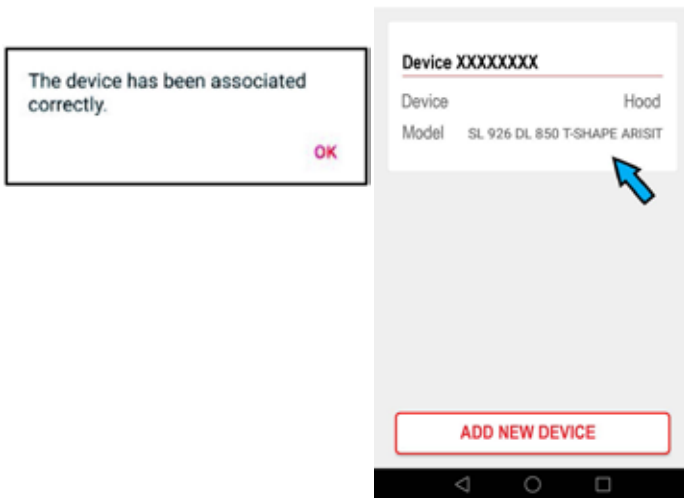


Select **DONE**

Use the QR code reader to connect the product with the App, using the label on the brochure or using the label located inside the product, found on the motor when you remove the grease filters.

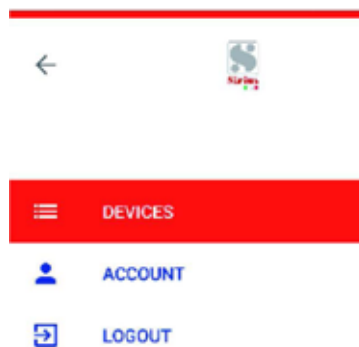


Activate the device



PAIRING VIA MANUAL MODE

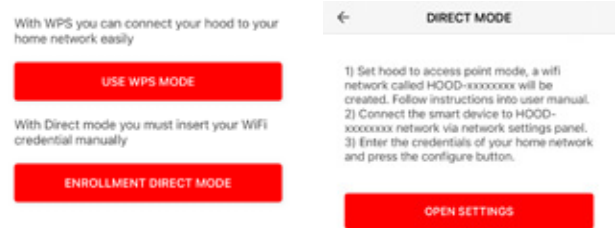
After Login Tap the App Menu (top left) and select **DEVICES**



Select **ADD NEW DEVICE**



Select **ENROLLMENT DIRECT MODE**

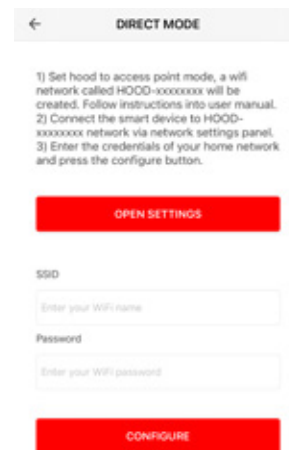


On the rangehood

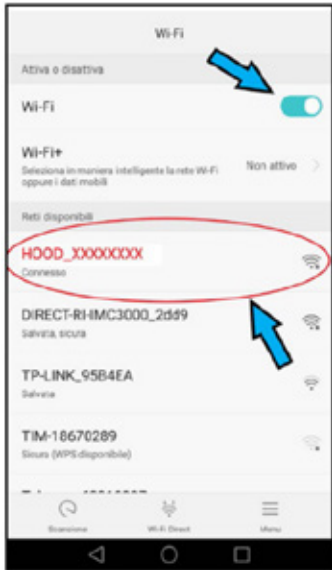
1. Switch rangehood off
2. Hold ① for 3 seconds for settings menu - note lights will flash ⚡ ①
3. Press ③ to enable manual pairing
4. Hold ① for 3 seconds to save.

Note: If buttons are not pressed within 10 secs the system automatically exits from settings menu and all unsaved operations will be discarded.

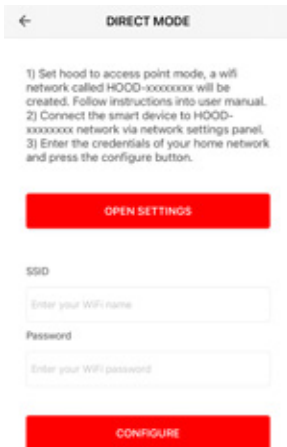
Select **OPEN SETTINGS**



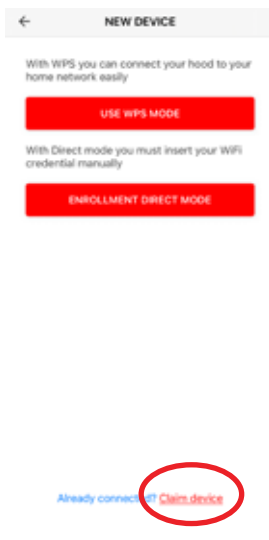
Connect to **“HOOD network”** inserting as password **“password”**.



Enter in your WiFi Name and Password
Select **Configure**



If an error message appears, go back to the home page and select **Claim Device**

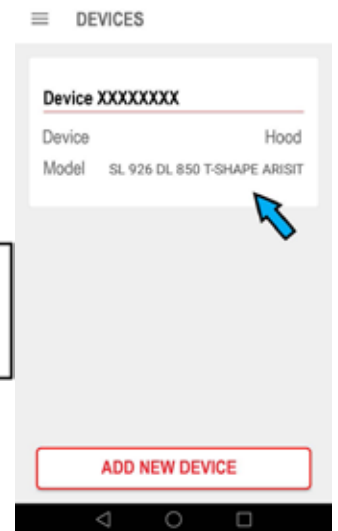
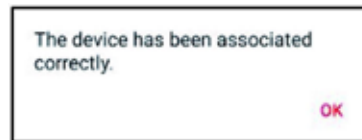


Use the QR code reader to connect the product with the App, using the label on the brochure or using the label located inside the product, found on the motor when you remove the grease filters.



Connect to your WiFi Router network.

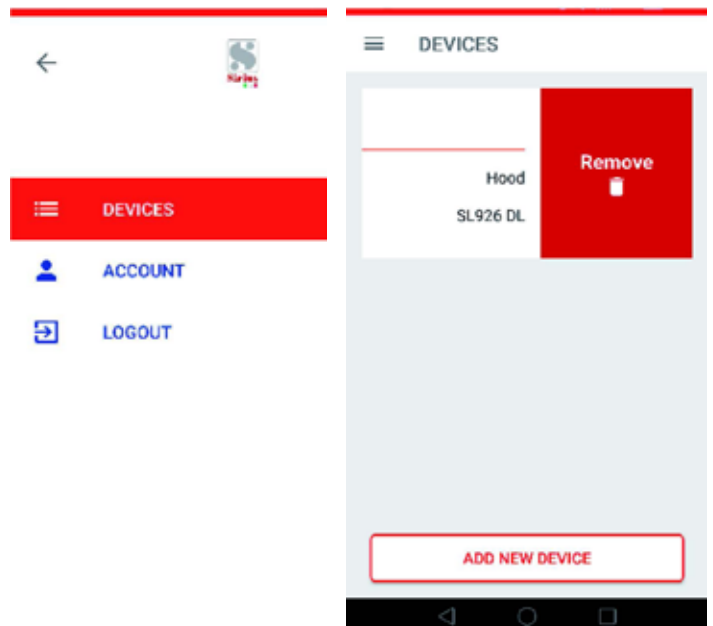
Activate the device



REMOVE THE DEVICE

To remove the device from the app, go to the menu and select **DEVICES**

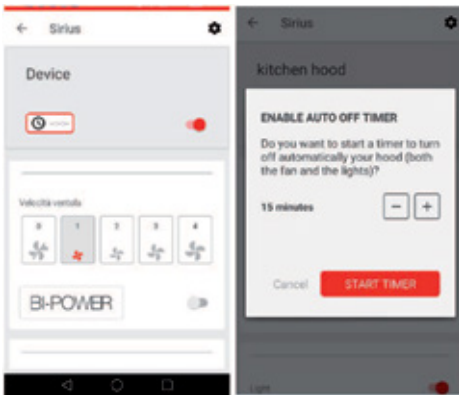
Select **REMOVE**



SIRIUS APP FUNCTIONS

TIMER

Tap on ⌚ and set the minutes for shutting down the device



FAN SPEED

Tap on the speed you want, select '0' to switch OFF.

FAN SPEED

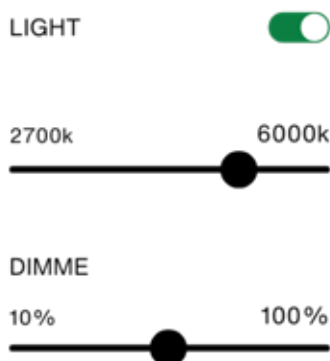


LIGHT

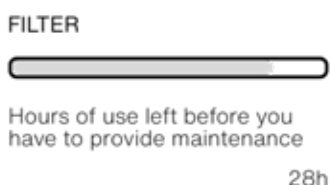
Slide the toggle switch for switching ON/OFF.

Use the slider to select the colour temperature.

Use the slider to dim the lights

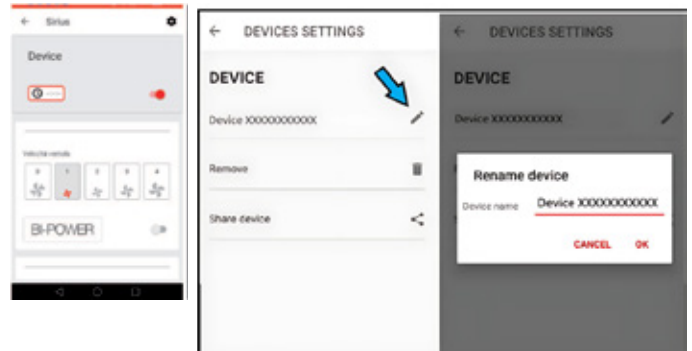


FILTER CLEANING



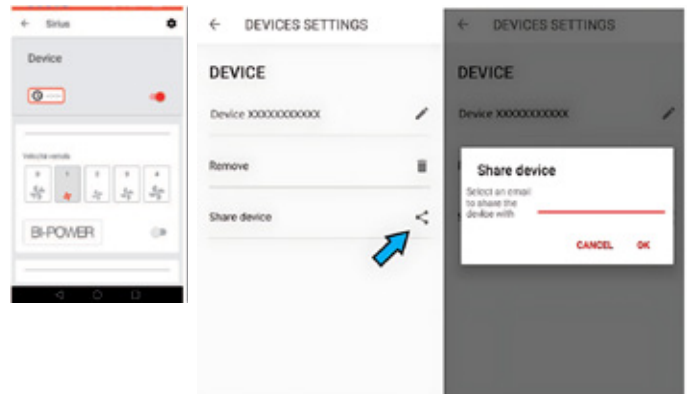
RENAMING DEVICE

Select the settings icon to rename



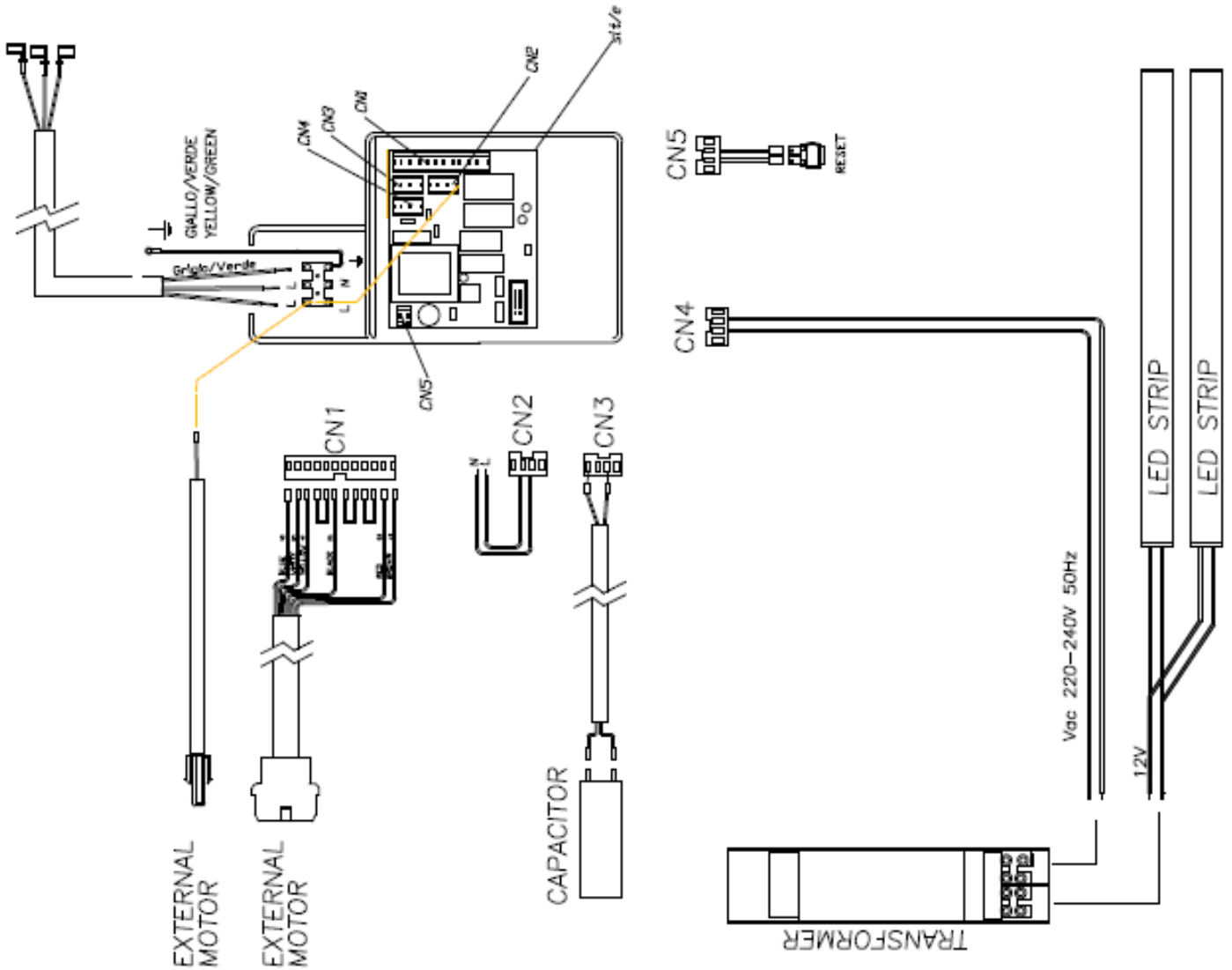
SHARE DEVICE

Select the settings icon to share the device with another person via email

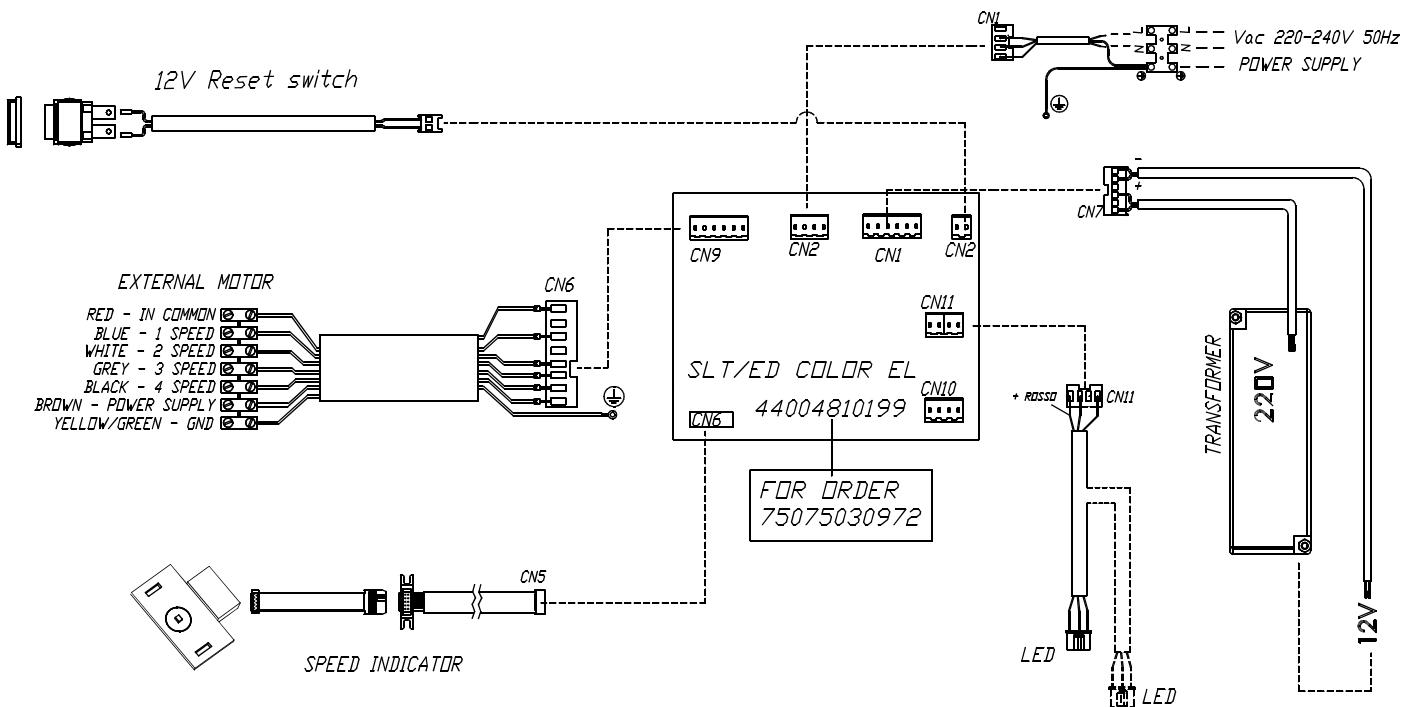


If you cannot activate your account, have issues connecting your device or have other questions regarding using the Sirius App, please send an email to customercare@siriuscappe.com

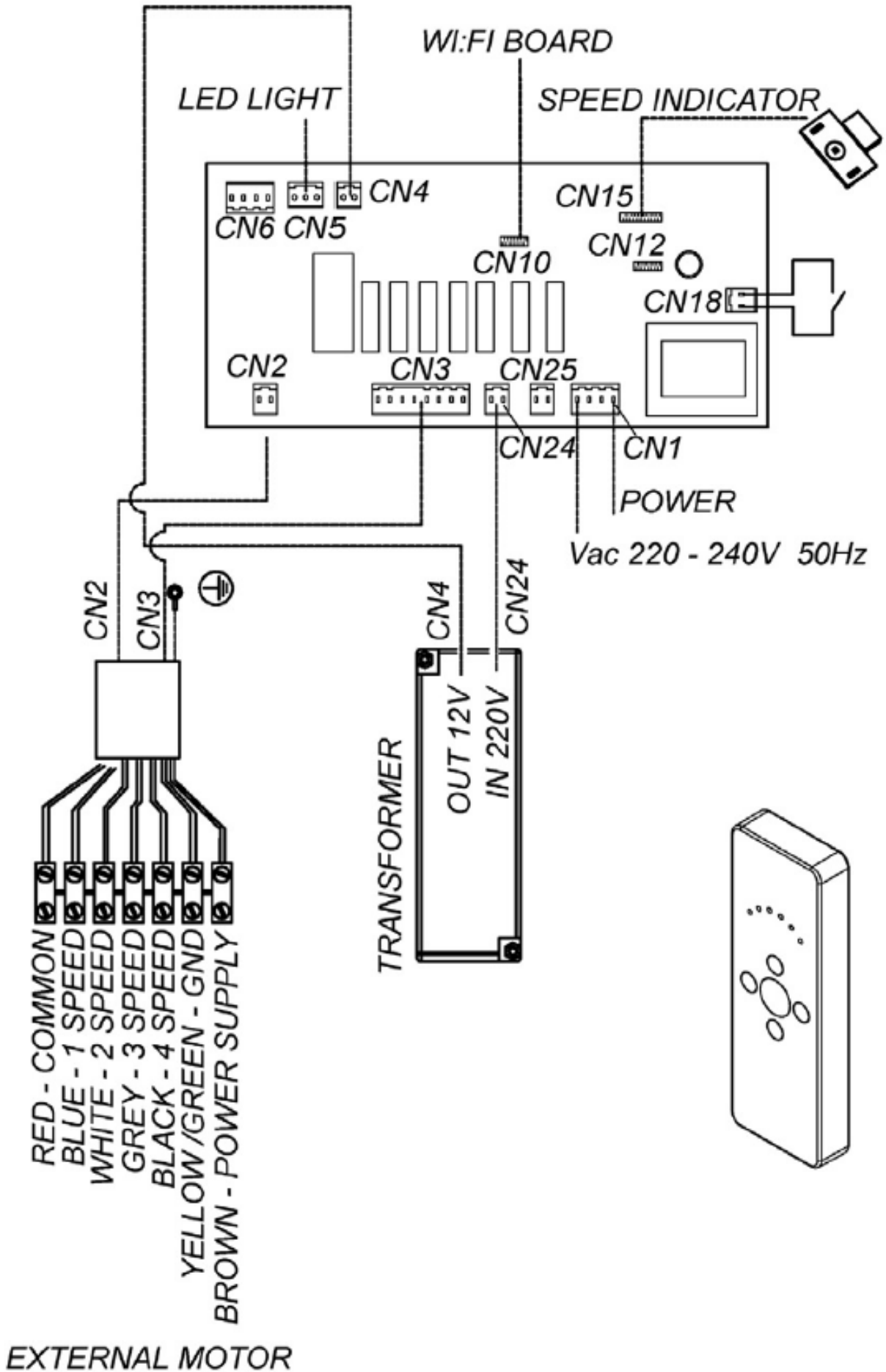
WIRING DIAGRAM - SLT958EMEL



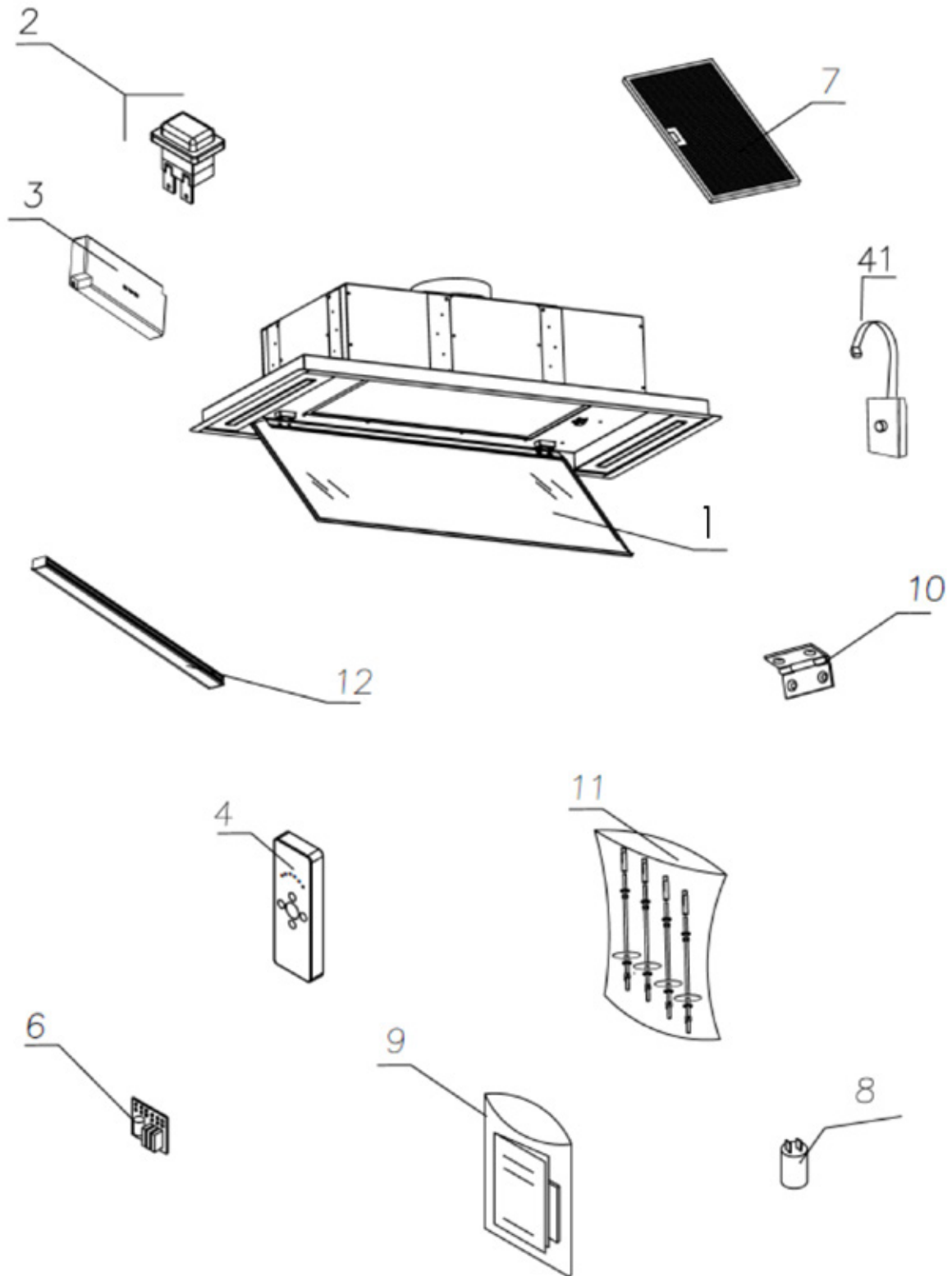
WIRING DIAGRAM - SLT971EMEL



WIRING DIAGRAM - SLT972, SLT974, SLT979

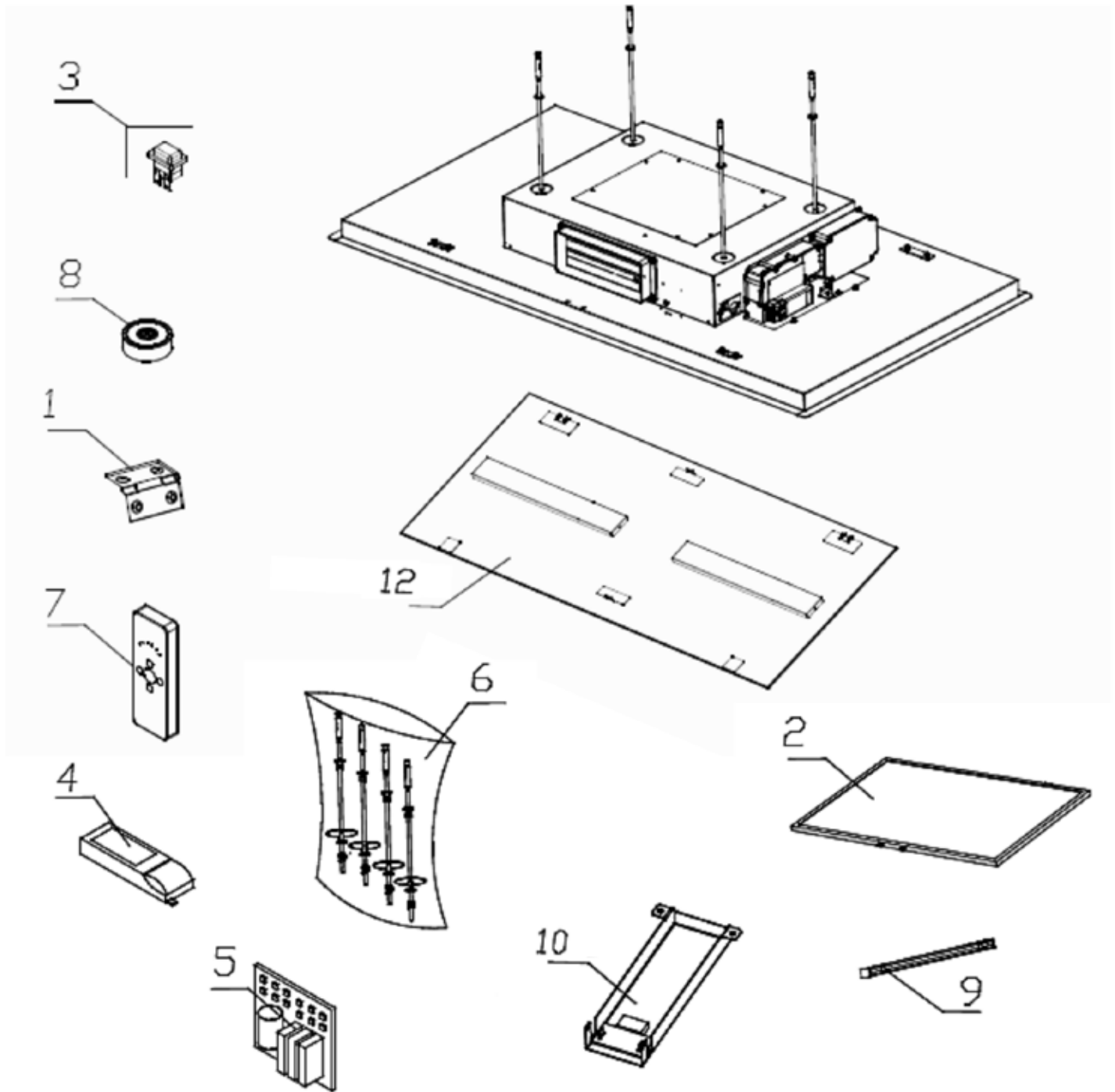


EXPLODED VIEW & PARTS - SLT958



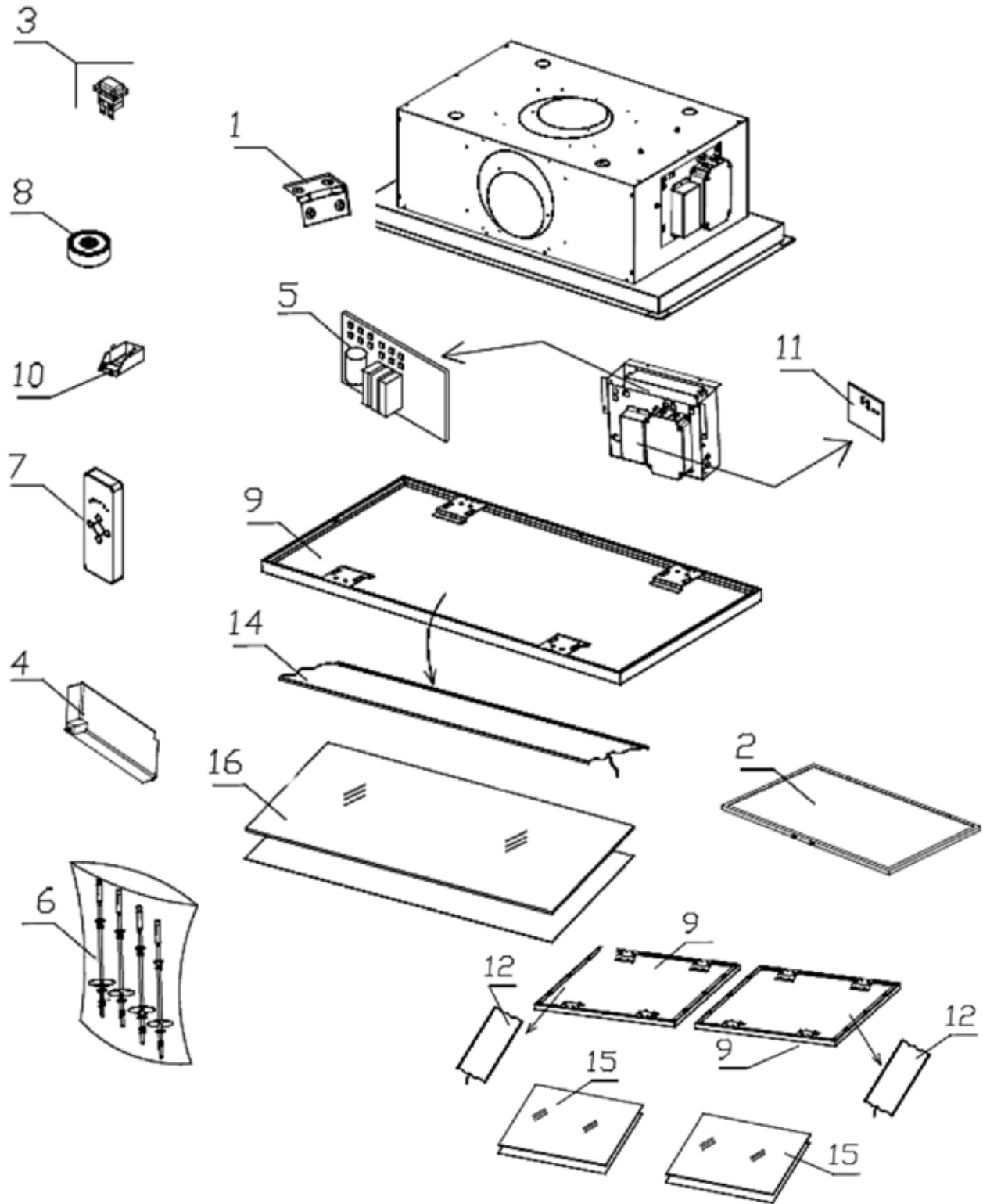
1	White Glass Panel (75020958002)	6	Power Filter (75007026582)	11	Fixing Kit (75095003950)
2	Emergency Switch/Start (75470199999)	7	Mesh Filter (75048030000)	12	LED Light (75002300325)
3	Transformer (75007026320)	8	Capacitor (75071008041)	41	Speed Indicator Card (75095800844)
4	Remote Control (75007026001)	10	Flat Milled Hinge (75096003003)		

EXPLODED VIEW & PARTS - SLT971



1	Flat Milled Hinge (75096003003)	6	Fixing Kit (75095003950)	12	Glass Panel (75009710066)
2	Mesh Filter (75005012399)	7	Remote Control (75007026001)		
3	Emergency Switch/Start (75470199999)	8	Magnet (75042964553)		
4	Transformer (75070092304)	9	LED Light Bar (75000320028)		
5	Electronic Board (75075030972)	10	Wiring Board (75009710003)		

EXPLODED VIEW & PARTS - SLT972, SLT974, SLT979



1	Flat Milled Hinge (75096003003)	6	Fixing Kit (75095003950)	11	WiFi Module Board (75097277853 - SLT972) (75097481206 - SLT974) (75097977987 - SLT979)
2	Mesh Filter (75096338223 - SLT972/4) (75096500002 - SLT979)	7	Remote Control (75007026001)	12	LED Lighting (75109790260 - SLT979)
3	Emergency Switch/Start (75470199999)	8	Magnet (75042964553)	14	LED Lighting (75109724259 - SLT972/4)
4	Transformer (75070092304)	9	Panel (75109720974 - SLT972/4) (75042979479 - SLT979)	15	Interior Panel Kit (75109790000 - SLT979)
5	Electronic Board (75097877426)	10	Speed Indicator (75100123456)	16	Interior Panel Kit (75109721974 - SLT972/4)

WARRANTY INFORMATION



Dear Customer,

Thank you for choosing this Sirius Rangehood.

We are sure that it will provide you with many years of excellent service. At Arisit Pty Limited we are dedicated to ensuring that our customers receive the best possible after-sales care.

The Sirius 'Protection Plan' has been devised to give you added peace of mind. Should you encounter any problems with your appliance, our nationwide team of specially trained technicians will deal with your call swiftly and efficiently.

PRIORITY SERVICE, ACCESSORIES & SPARE PARTS

AUSTRALIA

ARISIT PTY LIMITED

40-50 Mark Anthony Drive, Dandenong South,

VIC 3175, Australia

Phone: 1300 762 219

Email: consumer.care@arisit.com

NEW ZEALAND

ARISIT PTY LIMITED

Phone: (09) 306 1020

Email: arisit.nz@arisit.com

Warranty

By registering your ownership NOW, you qualify for Sirius's Total Peace of Mind Protection Plan.

Australian & New Zealand 3 / 6 Year Protection Plan*

This guarantees your appliance for a full 3 years parts and labour & 10 years for the off-board motors (covering manufacturing defects only) from the date of purchase, subject to the Terms and Conditions overleaf.

***3 Year warranty is extended to a 6 year period only when Sirius ducting is installed.**



Your Warranty

Register now to qualify.

Terms & Conditions

These Terms and Conditions apply only to Sirius products distributed in Australia and New Zealand by Arisit Pty Limited.

1. This warranty applies for a period of 3 years on all products.

a) Warranty is extended to a 6 year period when Sirius ducting is installed.

b) All off-board motors are covered under warranty for a 10 year period for manufacturing defects only.

2. Warranty applies for parts and labour in Australia and New Zealand, commencing from date of purchase.

3. This warranty applies only to the original purchaser/hire purchaser of this appliance and cannot be assigned or transferred. Failure to produce documentary proof of the date of original acquisition by the original purchaser will result in a charge being levied for work done, labour and parts supplied.

4. This warranty does not apply to:

a) Consumable items such as filters, fuses, and light bulbs.

b) Damage to body work, paint work, glass, and plastic items (such as, but not limited to windows, covers, baskets, trays, worktops, door handles, control and kick panels.)

c) Corrosion & rust damage. A fee may be charged following warranty claims where no fault is found with the appliance

5. This warranty will not apply where:

a) The fault is caused by accident, misuse, an infestation of insect and or vermin, fire, flood or the use of products not approved by Arisit Pty Limited.

b) There has been a failure to comply with the manufacturer's operating and installation instructions.

c) Service, modification or repair has been carried out by anybody other than an approved Arisit Service Technician.

d) The appliance has been used/ installed anywhere other than a private dwelling, or where it has been used other than for domestic use.

e) The appliance is subject to a rental agreement.

6. Any defective part that has been replaced becomes the property of Arisit Pty. Limited.

7. This warranty applies only to Sirius appliances purchased and installed in Australia and New Zealand.

8. Loss of use of the appliance or consequential loss of any nature is not covered.

9. A charge may be levied at the discretion of Arisit Pty Limited if the call is deemed unnecessary or if the cause of failure is traced to external sourced such as, but not limited to: blown fuses, power failure, faulty installation, customer misuse or negligence, etc

10. Where the appliance, the subject of a warranty claim or repair, is used or installed more than TWENTY (20) kilometres from the nearest Arisit Service Division or Authorised Service Agent, the cost of delivery to the nearest Service

Division or travel costs for a technician or Authorised Service Agent shall be for the account of the Purchaser. Where a built-in appliance is located or installed outside the Arisit Authorised Service Agent's normal service area, additional travel and labour costs shall be the account of the

Purchaser .

11. Service is offered during normal business hours only, also appliances to have a clear access in a serviceable area

12. Arisit Pty Limited shall not under any circumstances be responsible in terms of this warranty for the replacement or repair of any part of the equipment which may have been damaged in transit, during and after installation or imperfections after installation.

13. Losses caused by act of God, failure to obtain spare parts, strikes or lockouts are not covered.

14. External off board motors must be installed a minimum of 2 metres and maximum of 7 metres away from the rangehood. This is for optimum sound and performance.

15. All motors must be accessible for servicing purposes and if installed above 2 metres from ground height additional cost will be incurred due to OH&S standards for service agents. Prior to install please check minimum & maximum installation details on the Sirius website, FAQ under support tab. We reserve the right to amend any of the above without prior notice.

16. This warranty does not affect your statutory rights.

To register your product for warranty, click the QR code or visit www.siriusbrand.com/pages/register-new-product

6 Year
Warranty
when Sirius ducting is used

Full replacement warranty on parts and labour. Check website for T&Cs.
10 year warranty on SEM motors.



ARISIT PTY LIMITED (Australia)

ABN 23 091 515 294

40-50 Mark Anthony Drive

Dandenong South VIC 3175

P: Sales & Service: 1300 762 219

F: Sales & Service: (03) 9768 0838

E: arisit@arisit.com

ARISIT PTY LIMITED (New Zealand)

P: (09) 306 1020

E: arisit.nz@arisit.com



www.siriusaustralia.com

www.siriusnz.co.nz

Sirius Hoods and ducting products are only available from our select group of Sirius Professional Stockists nationwide. For the latest list of Sirius Stockists near you, please refer to www.siriusaustralia.com

All efforts have been made to ensure that the information provided in this brochure is correct at the time of printing. Due to continuous product improvement and ongoing development, Sirius reserves the right to make changes to the products and technical data without prior notice.

Some products appearing in this brochure may be for illustrative purposes only. Diagrams are indicative measures only. Prior to commencing cabinetry cutouts the operating/installation instructions accompanying the product must be referred to at www.siriusaustralia.com