

Italian Crafted for
Australian Living



Valentina
collection

ISOLA PENDANT RANGE USER MANUAL

RECIRCULATED ONBOARD MOTOR

SILT28L BK
SILT28L WH
SILT28L C

935116005931
935116005924
935116006822

Congratulations on your purchase and thank you for choosing this Sirius product.

CONTENTS

Warnings	3
Deruta Pendant Rangehood	5
Rangehood Placement	6
Installation	8
Bracket Diagram	11
Using the Rangehood	12
Maintenance	13
Exploded View & Parts	14
Warranty	15



WARNINGS

The air outlet of the appliance must not be connected to a flue which is used for exhausting other fumes from appliances, such as a central heating, boilers etc..

For the external exhausting of the fumes, comply with the regulations in force.

The motor of the peripheral exhausting group is powered by the cooker-hood placed in the kitchen.

Before connecting the cooker hood to the mains supply, make sure that the voltage indicated in the rating plate corresponds to the mains voltage in the home.

Before carrying out any sort of maintenance or cleaning operation, make sure that the appliance is disconnected from the electrical mains.

An appropriate maintenance ensures a good working and a good performance in the long run.

All models are built in Class I, therefore they must be earthed.

Range hoods and other cooking fume extractors may adversely affect the safe operation of appliances burning gas or other fuels (including those in other rooms) due to back flow of combustion gases. These gases can potentially result in carbon monoxide poisoning. After installation of a range hood or other cooking fume extractor, the operation of flued gas appliances should be tested by a competent person to ensure that back flow of combustion gases does not occur.

If a stationary appliance is not fitted with a supply cord and a plug, or with other means of disconnection from the supply mains, it is necessary to predict a contact separation in all poles that provide full disconnection under over-voltage Category III conditions.

Means for disconnection must be in-governance with local, state and national building regulations fixed wiring in accordance with the wiring rules.

The minimum distance between the cooktop surface and the lowest part of the range hood shall be at least 60 cm. If the instructions for installation specify a greater distance, this has to be taken into account.

This appliance is not intended for use by persons (including children) with reduced physical, sensory or mental capabilities, or lack of experience and knowledge, unless they have been given supervision or instruction concerning use of the appliance by a person responsible for their safety.

Children should be supervised to ensure they do not play with the appliance.

Cleaning and user maintenance shall not be made by children without supervision.

If the power cable is damaged, it must be replaced by a cable or a special assembly, available from the manufacturer or its service department technique.

The room must have adequate ventilation when using the kitchen hood simultaneously with other appliances that use gas or other fuels (not applies to appliances that simply release the air back into the room).

There is the possibility of fire if the cleaning operations are not carried out as indicated in the instructions.

Do not prepare food over open flames as sucked flames are a risk of damage to the appliance.



ATTENTION

The accessible parts can burn if used in conjunction with the cooking appliances.



ABOUT THE PENDANT RANGEHOOD

- This appliance is designed for normal domestic use. It is not designed for commercial or industrial use, or for purposes other than those for which it was designed.
- The appliance must be used by adults. Keep the appliance out of reach of children and always supervise when in use. Children must not operate the controls.
- When the appliance is delivered, check the overall appearance of the packaging. Any remarks should be written on the delivery coupon, of which you keep a copy.
- Any consequences of or damage from incorrect installation or incorrect use of the appliance will not be covered by the manufacturer's guarantee.
- Do not change or try to change the characteristics of this appliance. This would be a danger and will void any warranties.
- Repairs must be performed only by an authorised technician. Always disconnect the hood before carrying out cleaning or maintenance operations.
- Adequately ventilate the room when a cooker hood and other appliances, powered by energy other than electricity, are used simultaneously, so that the hood does not suck any combustion fumes.
- Do not cook food over open flames (flambé) or operate cooktops without pots or pans on them under the hood itself (the flames sucked into the hood might damage the appliance).
- Frying with oil must be done under constant supervision as hot oils and fats may ignite
- Respect the guidelines for cleaning and replacement of grease filters. Accumulated deposits of grease are a fire hazard.
- Never use steam or high-pressure devices for cleaning your hood (regulations regarding electrical safety).
- Never use the rangehood without the grease filters in place.
- The recommended install height from the cooking surface to the rangehood is minimum 600mm to maximum 750mm.
- When handling the rangehood, never put your hands or other objects in the field of action of the unit.
- This appliance may be used by children aged from 8 years old if supervised. Cleaning and user maintenance must not be made by children.
- If the supply cord is damaged, it must be replaced by the manufacturer, its service agent or similarly qualified persons in order to avoid a hazard.
- If the supply cord of the appliance is provided with a cooktop, this must be easily accessible.
- You may also find these instructional materials on our website: www.siriusaustralia.com or www.siriusnz.co.nz
- The air being drawn can't be conveyed through or into a duct used to let out fumes from appliances fed by energy other than electric power (eg. centralised heating, radiators, water heaters, etc.).
- Attention: remove any possible PVC film from the stainless steel, including the filters.
- To externally vent, please comply with the rules as set out by your governing area.
- The room must be provided with adequate ventilation when a rangehood and additional appliances are fed by energy other than electric power (gas, oil, or coal stoves, etc.) and are used simultaneously. The rangehood, when evacuating the air, could generate a negative pressure in the room which can't exceed the limit of 0.04 mbar, in order to avoid the suck of exhausts deriving from the heat source. Therefore the room should be provided with air intakes to allow a constant flow of fresh air.
- The minimum distance of 90cm should be allowed between the cooktop surface and the lowest part of the range hood (filter). If the instructions for installation specify a greater distance, this has to be taken into account



In the case of the version with external motor, it is necessary to use an external motor made by Sirius.

We thank you for taking note of these warnings before installing and using the appliance. They have been written for your personal safety and the safety of others.

Emergency Services Australia: 000

Emergency Services New Zealand: 111

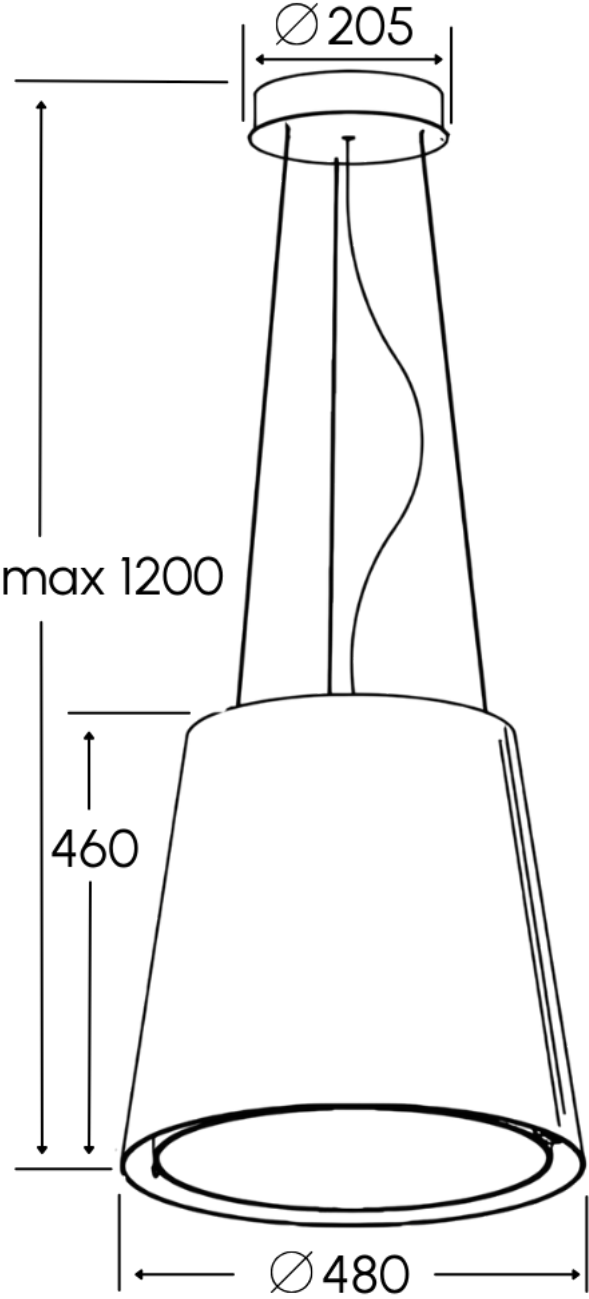


WARNING



NEVER try to extinguish a fire with water! Switch off the appliance and cover flame with a fire blanket. If necessary, call the emergency services. Ensure all flames are extinguished.

Recirculating Onboard Isola Pendant Collection



WHERE TO PLACE YOUR RANGEHOOD

It is important to keep these instructions for use with the appliance. If the appliance should be sold or passed on to others, make sure that the instructions are passed on with it.

This rangehood is designed for recirculating.



If the rangehood is positioned above the max height recommended, warranty may be compromised as performance of the rangehood will be affected. Measurement is taken from the top of the trivets to the underside of the hood.

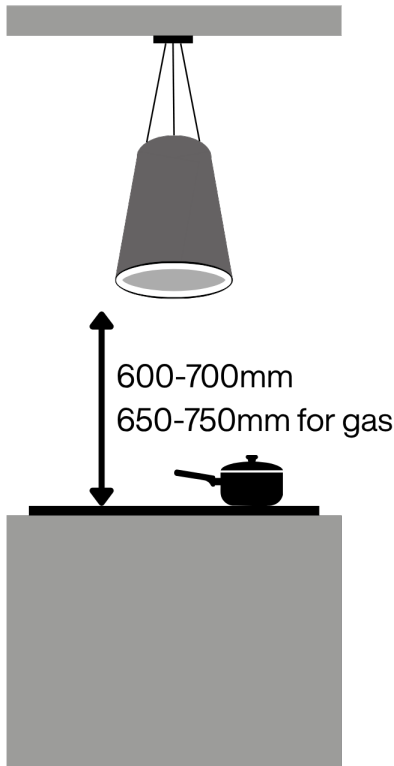


Fig.1

When placing your rangehood, ensure it is placed to cover the most cooktop surface as possible.

Using a rangehood that is smaller than the cooktop may void the warranty and will result in a poor performance. The rangehood needs to be adequately sized to effectively capture and remove smoke, steam, and cooking odours.

For optimal performance, it is crucial to match the rangehood size to the cooktop. This ensures the cooking area is covered and extraction is being pulled from correct area.

At Sirius, we are constantly seeking to improve our products. We reserve the right to modify their technical, functional, or aesthetic characteristics deriving from their upgrading.

Motors manufactured and approved by Sirius only are to be used at all times. Failure to comply with this will result in the forfeit of the manufacturer warranty.

For even better performance especially for cooking with multiple burners and strong odours, it may be recommended to use a rangehood larger than the cooktop area. Please also note Induction cooktops produce 50% more condensation than gas so please also take this into consideration when choosing the best rangehood for your kitchen.

This information serves as a general guide; the diagrams are not to scale and may not cover all situations.

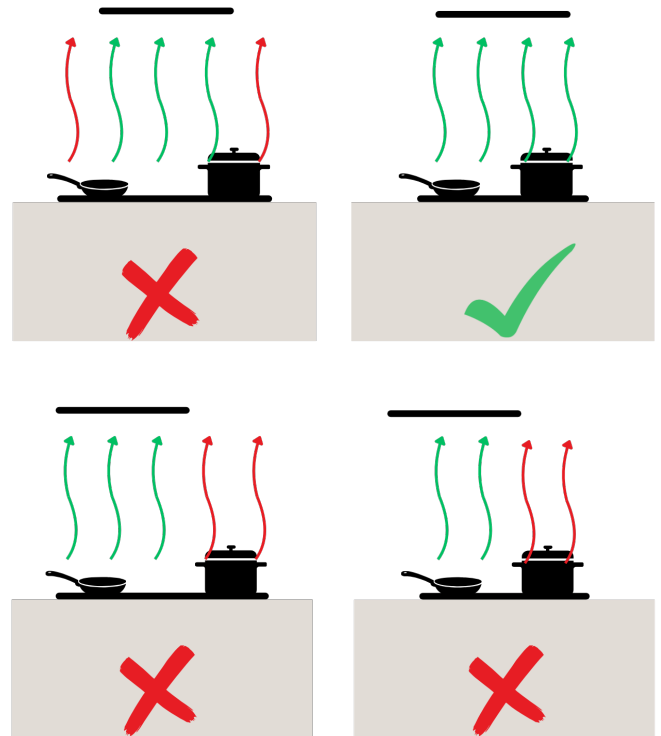


Fig.2a

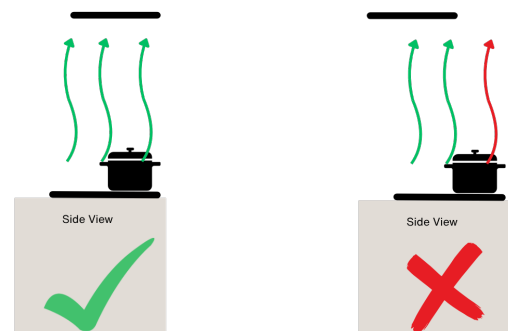


Fig.2b

PRE-INSTALLATION CHECKS

Connect all of the electrical components to the unit and motor to make sure both the unit and the motor are functioning properly.

Remove all plugs and proceed with installation if both unit and motor are fully operational.

Before proceeding with the installation, please thoroughly inspect the entire unit (including the motor) for any damages, including all of the electrical connections. If any damage is found, cease installation and report it immediately to the retail partner that the cassette was purchased from.



Installation must comply with the regulations in force regarding the ventilation of enclosed environments. In particular, discharged air must not be conveyed into a duct used for fumes

discharge or discharge from appliances using gas or other combustible materials. Air cannot be ducted into roof space. The use of discontinued ducts is not allowed without the approval of a qualified technician.



WARNING





The appliance must be installed and connected to the power supply only by a qualified technician.

Sirius warranty covers only the Sirius product. If you choose to install a non-Sirius branded accessory such as flexible ducting, Sirius will only warrant the hood and motor. If installation or inferior parts are found to be the cause of failure or issue then charges will apply for service and parts.

Flexible ducting is not permitted under any circumstances. Flexible ducting has been found to increase noise levels, increase vibration and reduce airflow. Sirius Semi-rigid or solid ducting can be used in lieu. There is a range available to suit any application.

Available at www.siriusaustralia.com or www.siriusnz.co.nz

If the rating label on the rangehood shows the symbol  the appliance is built in Class II° and it does not need any earth connection.

If the rating label on the rangehood does not show the symbol  the appliance is built in Class I° and it does need the earth connection.

When performing the electrical connections on the appliance, please make sure that the current-tap is provided with earth connection and that voltage values correspond to those indicated on the label placed inside the appliance itself.

Before carrying out any cleaning or maintaining operations, the appliance needs to be switched off. If the appliance is not provided with a non-separable flexible cable and plug, or with another device ensuring omnipolar disconnections from the grid, with an opening distance between the contacts of at least 3mm, then such disconnecting devices must be supplied within the fixed installation. If the fixed appliance is endowed with a supply cord and a plug, the appliance has to be put in a place where the plug can be reached easily.

The use of materials which can burst into flames should be avoided in close proximity of the appliance. When frying, please pay particular attention to fire risk due to oil grease. Being highly flammable, fried oil is especially dangerous. Do not use uncovered electric grills. In order to avoid possible fire risk, all instructions for grease-filter cleaning and for removing eventual grease deposits should be strictly followed.

When performing the electrical connections on the appliance, please make sure that the current tap is provided with earth connection and that voltage values correspond to those indicated on the label placed inside the appliance itself.



WARNING



Failure to install the screws or fixing device in accordance with these instructions may result in electrical hazards

ISOLA PENDANT RANGEHOOD INSTALLATION



Before installing the appliance, make sure that none of the parts are damaged in any way. In case of damaged parts, contact your retailer and do not proceed with installation. Read all of the following instructions with care before installing the appliance.

To install the appliance please follow these instructions:

- The appliance must be installed by qualified technicians, or where possible use a Sirius recommended installer. See www.siriusaustralia.com.
- In order to avoid damage to the electronic parts of the appliance, please do not use additional screws

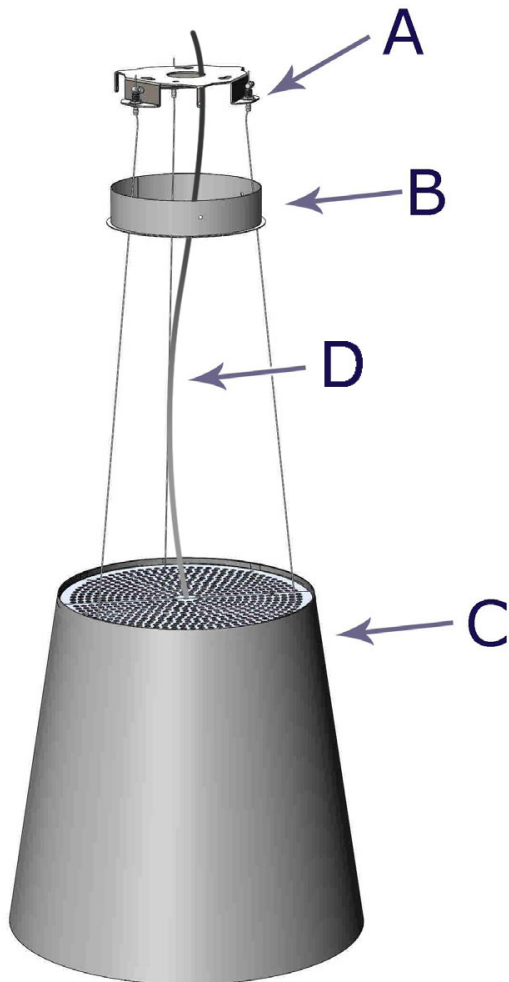


Fig.3

- A - Mounting plate
- B - Ceiling plate cover
- C - Rangehood body
- D - Power cable



WARNING



The rangehood is quite heavy, so two people will be needed for installation.



This rangehood is designed for recirculating/filtering performance only. In its filtering version the air and fumes conveyed by the appliance are cleaned both by a grease filter and by an active carbon filter, and put again into circulation.

Remove the product from the packaging and lay it on a flat surface covered with soft material such as a towel or sheet.

Remove the mounting plate (Fig.4). To install the hood, position it in the desired place of the ceiling. The center of the plate should correspond with the center of the cooktop.

NB the ceiling must be suitable to bear the weight of the rangehood.

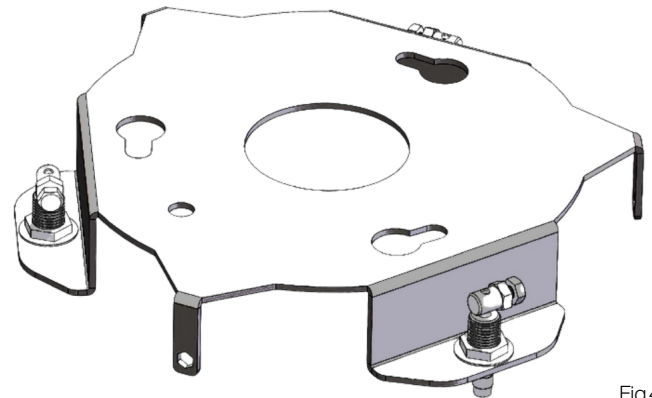


Fig.4

Mark the holes to be drilled at the smaller openings of the plate (Fig.5).

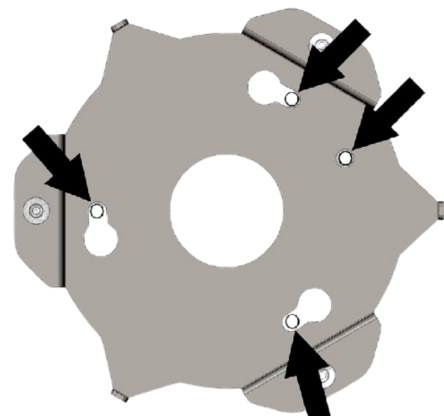


Fig.5

Drill the holes using an 8mm diameter drill. Fix the plate to the ceiling, by using the plastic dowels and the screws supplied with the appliance.

Take the ceiling plate cover out of the packaging and thread the power cord and the three steel wires through the holes (Fig.6).

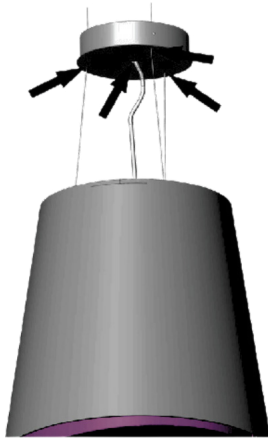


Fig.6

Place the appliance close to the ceiling plate, and then insert the steel wires into the specific supports, as shown below (Fig.7).

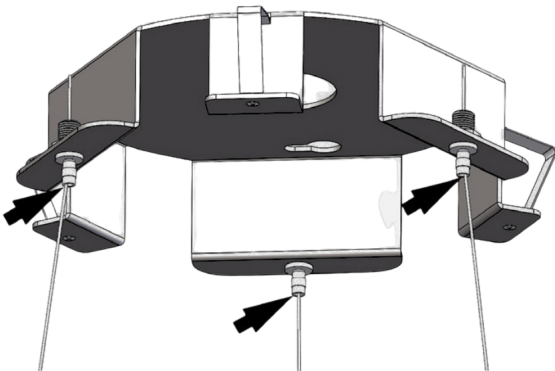


Fig.7

Adjust the hood desired height, paying attention to keeping the appliance perfectly in line with the floor by sliding the steel wire inside the support; you will need to loosen and push the support in order to allow the wire to slide (Fig.8a).

Secure the steel wires by tightening the support and screwing it tight (Fig.8b).

NB if you have a flat ceiling, make the rangehood parallel to the ceiling. If you have an angled ceiling, make the rangehood parallel to the cooktop or benchtop.

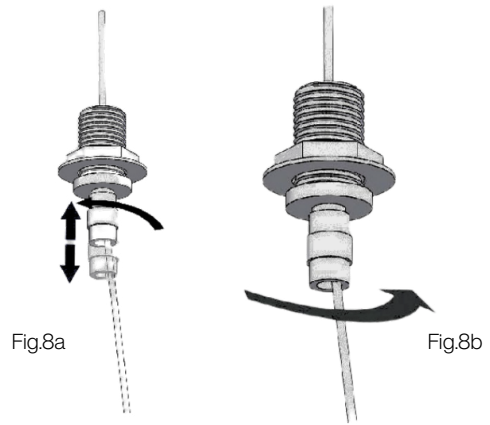


Fig.8a

Fig.8b

Use some clamps in order to further secure the steel wire

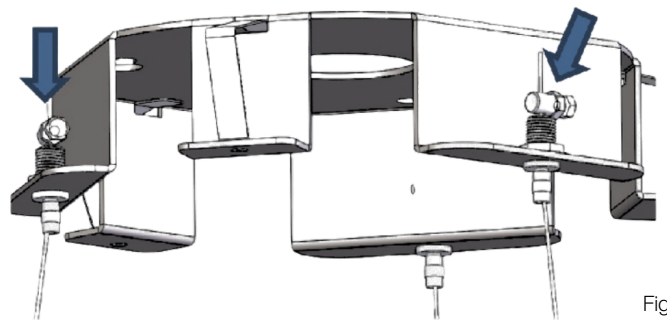


Fig.9

Make the electrical connections.

Lift the cover plate to the ceiling to cover the bracket plate and secure using the three 10mm screws provided.

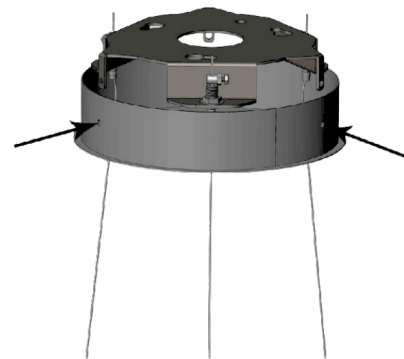


Fig.10



WARNING



Any adjustments or modifications which have not been expressly approved by the holder of the legal conformity certificate may invalidate the user's rights relating to the operation of the device.

USING THE RANGEHOOD'S REMOTE CONTROL

Working:

6 channel control for rangehood remote.

- When the rangehood is first turned on, hold the lighting button for 5 seconds.

TECHNICAL DATA

- Alkaline battery powered: 12 V mod. 23 A
- Operating frequency: 433.92 Mhz
- Combinations: 32.768
- Max. consumption: 25 mA
- Operating temperature: -20 ÷ + 55 °C
- Dimensions: 120 x 45 x 15 mm


OPERATING THE REMOTE


The transmitter is equipped with 5 buttons as specified below:

 : Light ON/OFF.

 : Motor ON (speed level 1) / OFF.

 : Reduce speed.

 : Increase speed.

 : 10-minute shut-off timer.



DEFAULT OPERATING CONDITION

The manufacturer supplies the remote control unit ready to be used with codes preset in the factory.

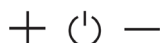
STANDARD CONFIGURATION

Standard configuration requires all rangehood remote control systems to be provided with the same transmission code. In the event two rangehoods are installed in the same room or nearby, each system may affect the operation of the another. Therefore, the code of one remote control system must be changed.

Generating a New Transmission Code:

The system is provided with preset codes. Should new codes be required, proceed as follows;

Simultaneously press the +, power and - buttons for 2 seconds



When LEDs are on, press the + and - buttons (within 5 seconds).



The LEDs flash 3 times to indicate the procedure is completed.




WARNING



Generating a new transmission code deletes preset codes.

LEARNING THE NEW TRANSMISSION CODE

Once the transmission code is changed in the radio control unit, the electronic central unit of the cooker hood must be made to set the new code in the following way:

Press the main power-off button of the hood and then restore power to the electronic control unit. Within the next 15 seconds, press the Light Button  to synchronise the central unit with the code.

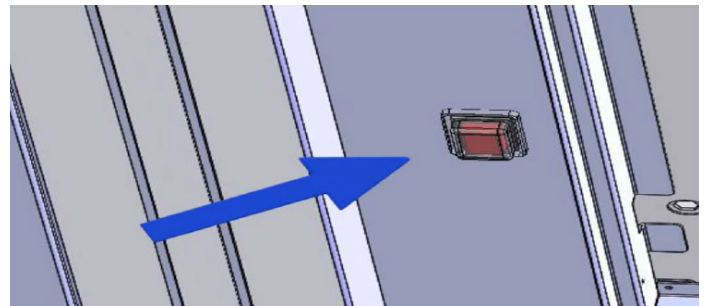


Fig.11

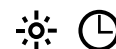
RESET TO FACTORY CONFIGURATION:

To restore the Factory configuration;

Simultaneously press the +, power and - buttons for 2 seconds



When LEDs are on, press the light and time buttons (within 5 seconds).



The LEDs flash 6 times to indicate the procedure is completed.

EMERGENCY BUTTON

In the event that the radio control does not work, use the emergency button to switch the appliance off. After any necessary repairs have been performed, reset the emergency button.

The below product:

RC001 Radio Control

complies with the specifications set out in the Directive RED 2014/53/EU.



USING THE REMOTE CONTROL

Each color generated by the LED corresponds with a specific speed, as shown below:

- 1 = WHITE
- 2 = BLUE
- 3 = DARK BLUE
- 4 = RED

After 30 hours working, the speed indicator light will flash RED for 30 seconds to signal the saturation of the grease filter. While flashing, it is possible to reset the alarm by pressing the **TIMER** button.

Dimmable Light Function

Allows for the lights to dim, ranging from 20% to 100%

To adjust brightness: press and hold the light button to dim or increase brightness to desired level. To pick the desired intensity, release the light button.



Dynamic Light Function

This function allows you to pick the colour temperature between cool and warm.

To adjust: turn unit off.

Hold down the **timer button** until lights turn on.

Hold down the **light button** to cycle through.

To select temperature, release the **light button**.

To exit the function, press the **on/off button**.



Usage Tip

Turn on fan 10 minutes before cooking to optimise performance.

All models are equipped with a timer device for suction speeds control, when the air capacity exceeds 650m³/h. Internal motor models, with maximum air capacity higher than 650m³/h, are equipped with a timer device that automatically switches the suction speed from 4th to 3rd speed, after 5 minutes operation.

MAINTENANCE

Accurate maintenance guarantees good functioning and long-lasting performance.

Particular care is due to the grease filter panel. To remove, rotate the lower panel of the appliance by pulling the side knob down.

To remove the carbon filter, if fitted, follow the same steps as for the grease filter. The carbon filter is located immediately above the grease filter.

It is recommended that the filter be cleaned after 30 hours of use. This can be cleaned by hand-washing or in dishwashers. The active coal filter has to be replaced in relation to its use, at least once every six months.

Filters may require cleaning sooner if frequent heavy frying is done.

To clean the appliance itself, water and detergent are recommended, while abrasive products should be avoided.

Lamp Replacement

Rotate the lower panel of the appliance by pulling the side knob (Fig.12 & 13). Remove the screws found on the panel and open it; replace the fluorescent lamp and then refit the panel.

NEON LR-T5 40W 4200°K 842

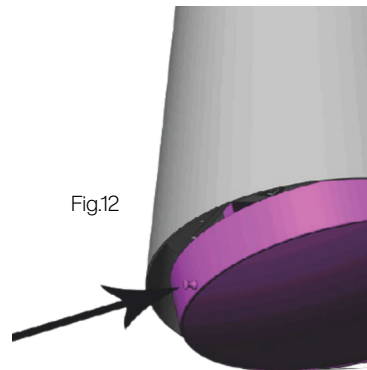


Fig.12

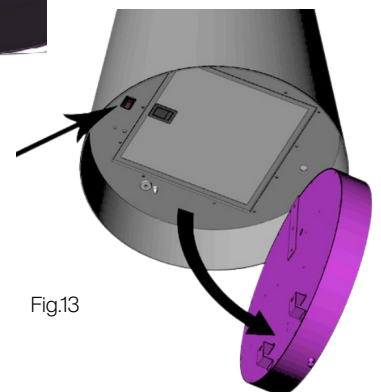


Fig.13

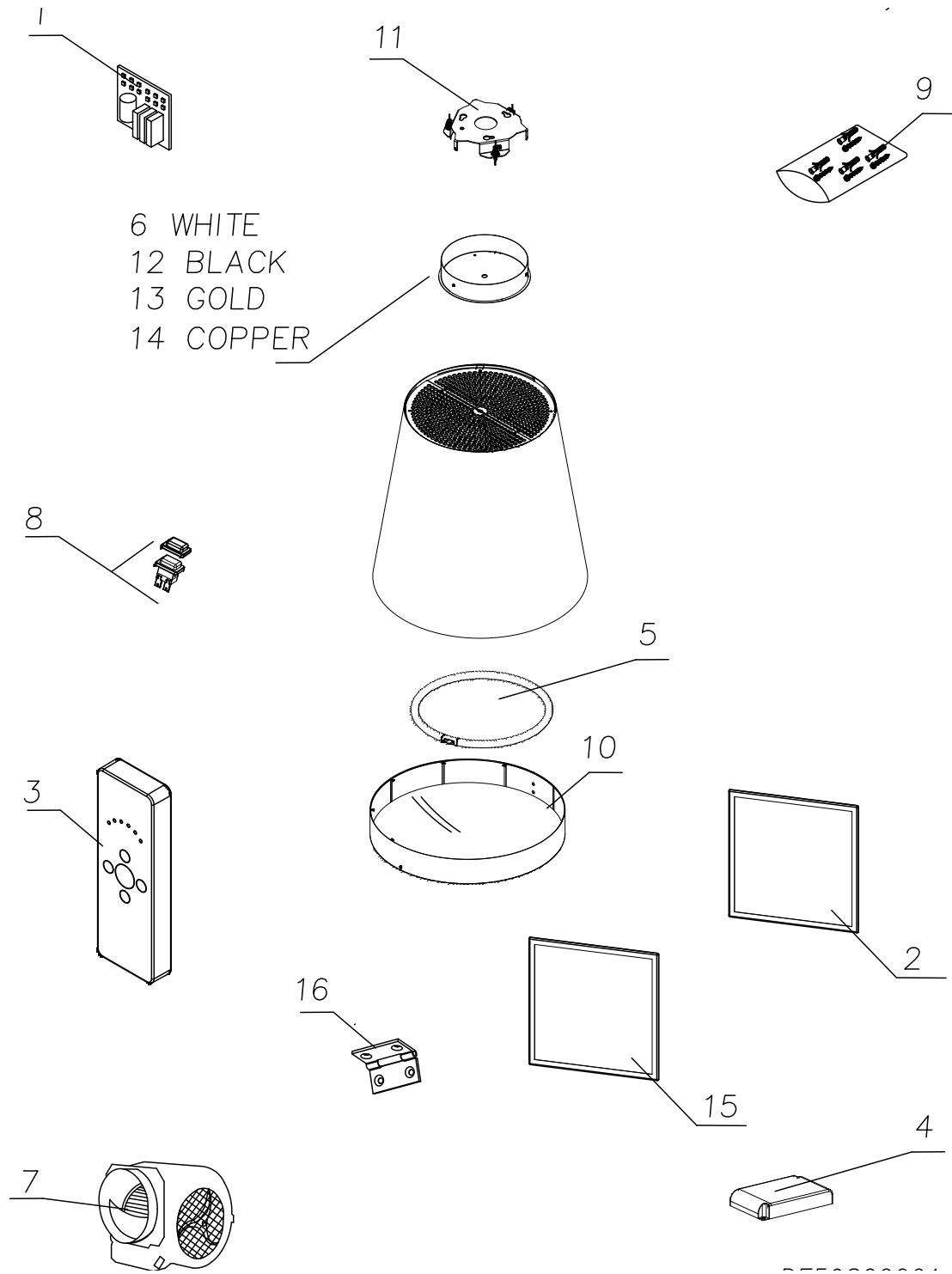


WARNING



If the supply cord is damaged, it must be replaced by the manufacturer or its service agent or a similarly qualified person in order to avoid a hazard.

EXPLODED VIEW & PARTS



1	Electrical Board 75070180181	5	Neon Light 75070406842	9	Accessories 75000280028	13	Bracket Cover Gold 75000281326
2	Filter 75071050031	6	Bracket Cover White 75000280326	10	Neon Panel 75001050318	14	Bracket Cover Copper 75000282326
3	Remote Control 75007026001	7	Motor 75051007000	11	Ceiling Bracket 75000280332	15	Carbon Filter
4	Transformer 75070406015	8	Emergency Switch Start 75470199999	12	Bracket Cover Black 75000284326	16	Hinge

WARRANTY INFORMATION



Dear Customer,

Thank you for choosing this Sirius Rangehood.

We are sure that it will provide you with many years of excellent service. At Arisit Pty Limited we are dedicated to ensuring that our customers receive the best possible after-sales care.

The Sirius 'Protection Plan' has been devised to give you added peace of mind. Should you encounter any problems with your appliance, our nationwide team of specially trained technicians will deal with your call swiftly and efficiently.

PRIORITY SERVICE, ACCESSORIES & SPARE PARTS

AUSTRALIA

ARISIT PTY LIMITED

40-50 Mark Anthony Drive, Dandenong South,

VIC 3175, Australia

Phone: 1300 762 219

Email: consumer.care@arisit.com

NEW ZEALAND

ARISIT PTY LIMITED

Phone: (09) 306 1020

Email: arisit.nz@arisit.com

Warranty

By registering your ownership NOW, you qualify for Sirius's Total Peace of Mind Protection Plan.

Australian & New Zealand 3 / 6 Year Protection Plan*

This guarantees your appliance for a full 3 years parts and labour & 10 years for the off-board motors (covering manufacturing defects only) from the date of purchase, subject to the Terms and Conditions overleaf.

***3 Year warranty is extended to a 6 year period only when Sirius ducting is installed.**

6 Year
Warranty
when Sirius ducting is used

Your Warranty

Register now to qualify.

Terms & Conditions

These Terms and Conditions apply only to Sirius products distributed in Australia and New Zealand by Arisit Pty Limited.

1. This warranty applies for a period of 3 years on all products.

a) Warranty is extended to a 6 year period when Sirius ducting is installed.

b) All off-board motors are covered under warranty for a 10 year period for manufacturing defects only.

2. Warranty applies for parts and labour in Australia and New Zealand, commencing from date of purchase.

3. This warranty applies only to the original purchaser/hire purchaser of this appliance and cannot be assigned or transferred. Failure to produce documentary proof of the date of original acquisition by the original purchaser will result in a charge being levied for work done, labour and parts supplied.

4. This warranty does not apply to:

a) Consumable items such as filters, fuses, and light bulbs.

b) Damage to body work, paint work, glass, and plastic items (such as, but not limited to windows, covers, baskets, trays, worktops, door handles, control and kick panels.)

c) Corrosion & rust damage. A fee may be charged following warranty claims where no fault is found with the appliance

5. This warranty will not apply where:

a) The fault is caused by accident, misuse, an infestation of insect and or vermin, fire, flood or the use of products not approved by Arisit Pty Limited.

b) There has been a failure to comply with the manufacturer's operating and installation instructions.

c) Service, modification or repair has been carried out by anybody other than an approved Arisit Service Technician.

d) The appliance has been used/ installed anywhere other than a private dwelling, or where it has been used other than for domestic use.

e) The appliance is subject to a rental agreement.

6. Any defective part that has been replaced becomes the property of Arisit Pty. Limited.

7. This warranty applies only to Sirius appliances purchased and installed in Australia and New Zealand.

8. Loss of use of the appliance or consequential loss of any nature is not covered.

9. A charge may be levied at the discretion of Arisit Pty Limited if the call is deemed unnecessary or if the cause of failure is traced to external sourced such as, but not limited to: blown fuses, power failure, faulty installation, customer misuse or negligence, etc

10. Where the appliance, the subject of a warranty claim or repair, is used or installed more than TWENTY (20) kilometres from the nearest Arisit Service Division or Authorised Service Agent, the cost of delivery to the nearest Service

Division or travel costs for a technician or Authorised Service Agent shall be for the account of the Purchaser. Where a built-in appliance is located or installed outside the Arisit Authorised Service Agent's normal service area, additional travel and labour costs shall be the account of the

Purchaser .

11. Service is offered during normal business hours only, also appliances to have a clear access in a serviceable area

12. Arisit Pty Limited shall not under any circumstances be responsible in terms of this warranty for the replacement or repair of any part of the equipment which may have been damaged in transit, during and after installation or imperfections after installation.

13. Losses caused by act of God, failure to obtain spare parts, strikes or lockouts are not covered.

14. External off board motors must be installed a minimum of 2 metres and maximum of 7 metres away from the rangehood. This is for optimum sound and performance.

15. All motors must be accessible for servicing purposes and if installed above 2 metres from ground height additional cost will be incurred due to OH&S standards for service agents. Prior to install please check minimum & maximum installation details on the Sirius website, FAQ under support tab. We reserve the right to amend any of the above without prior notice.

16. This warranty does not affect your statutory rights.

To register your product for warranty, click the QR code or visit www.siriusbrand.com/pages/register-new-product

6 Year
Warranty
when Sirius ducting is used

Full replacement warranty on parts and labour. Check website for T&Cs.
10 year warranty on SEM motors.



ARISIT PTY LIMITED (Australia)

ABN 23 091 515 294

40-50 Mark Anthony Drive

Dandenong South VIC 3175

P: Sales & Service: 1300 762 219

F: Sales & Service: (03) 9768 0838

E: arisit@arisit.com

ARISIT PTY LIMITED (New Zealand)

P: (09) 306 1020

E: arisit.nz@arisit.com



AUSTRALIA & NEW ZEALAND

www.siriusaustralia.com

www.siriusnz.co.nz

Sirius Hoods and ducting products are only available from our select group of Sirius Professional Stockists nationwide. For the latest list of Sirius Stockists near you, please refer to www.siriusaustralia.com

All efforts have been made to ensure that the information provided in this brochure is correct at the time of printing. Due to continuous product improvement and ongoing development, Sirius reserves the right to make changes to the products and technical data without prior notice.

Some products appearing in this brochure may be for illustrative purposes only. Diagrams are indicative measures only. Prior to commencing cabinetry cutouts the operating/installation instructions accompanying the product must be referred to at www.siriusaustralia.com